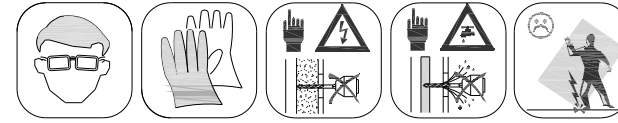
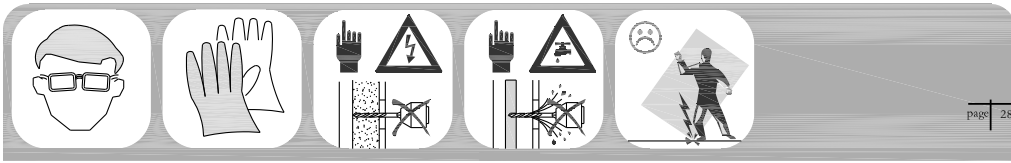


# INSTRUCTION

SHOWER CABIN ILMA 102

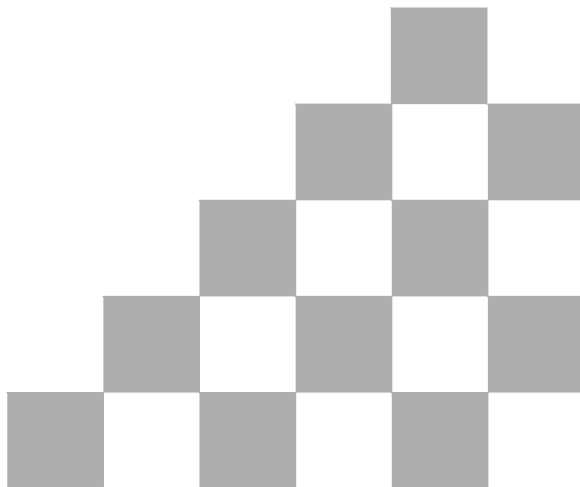




## CARE INSTRUCTIONS

Shower enclosures should be cleaned after every use. To prevent limescale from building up, use a squeegee, a soft cloth or chamois leather-but no cleaning-to wipe off any water droplets left after showering. Residue left by bodycare products (liquid soap, shampoo, shower gel) can also cause substances to accumulate. Use water to rinse away residues after use. All sliding door track fittings should also be cleaned this way-to ensure that they continue run smoothly.

- **Don't allow limescale to build up-especially in hard water areas**
- **If you do get a stubborn limescale build up, a mixture of 50:50 vinegar and water will help you to clean it away-but make sure all vinegar is rinsed off completely**  
**Never use strong detergents or cleaning agents**  
**Cleaning materials should wherever possible be rated between PH4 and PH8**  
**In no circumstances should you use any abrasive substance**

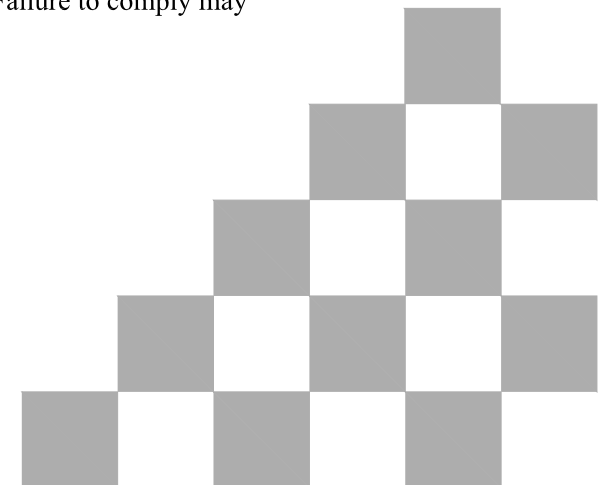


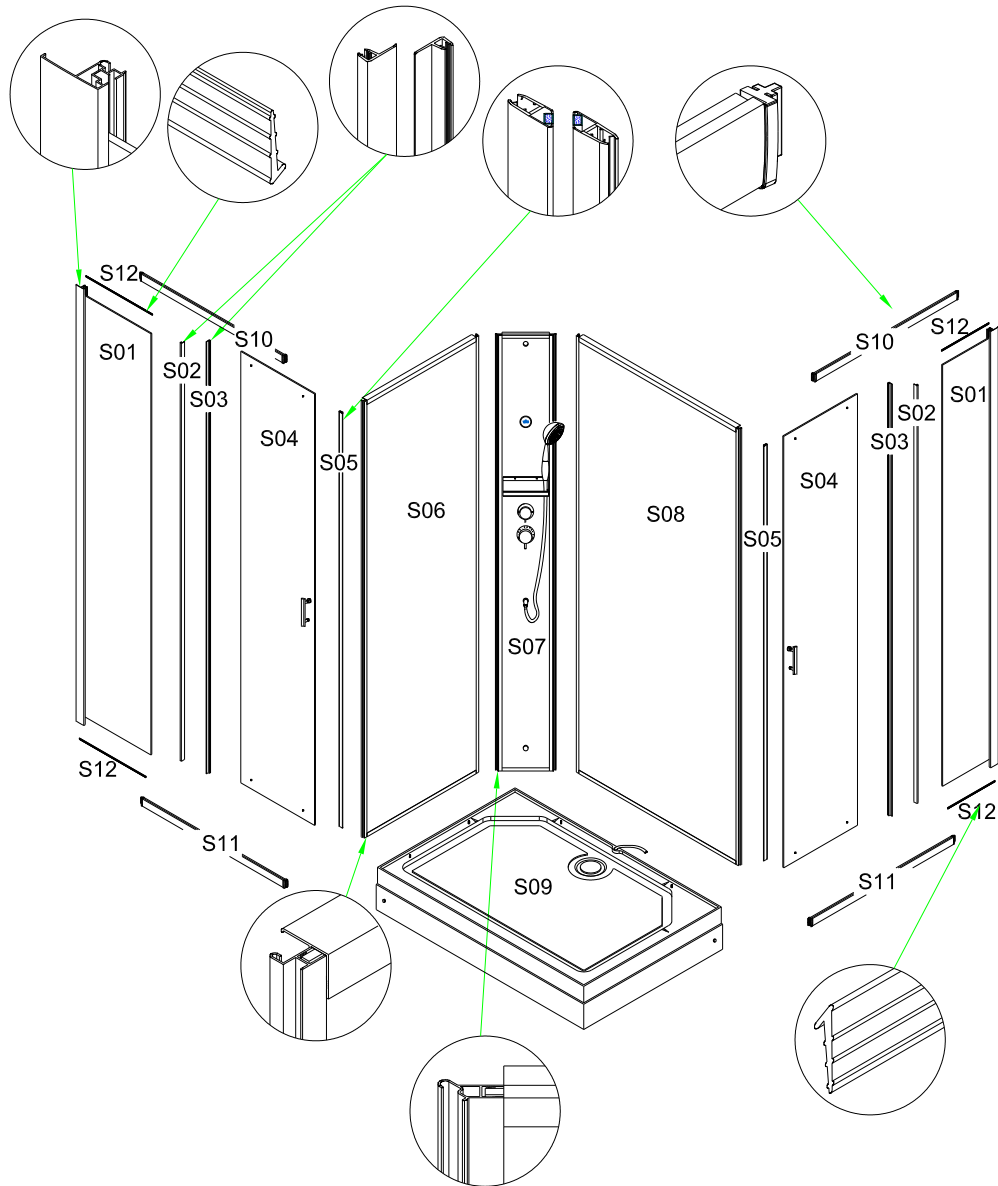
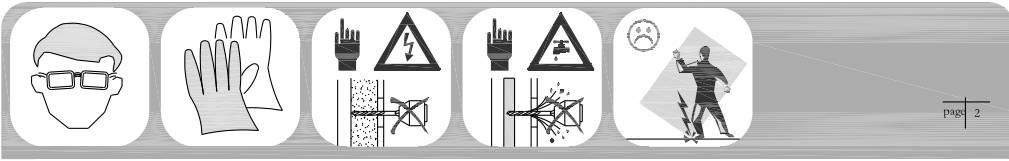
We appreciate your choosing of our shower products, and wish you a pleasant experience with our products and service. Please read Instruction carefully before installation.

## IMPORTANT

Please check the shower enclosure for transport damage and completeness before installation. Complaints made following installation cannot be accepted.

Please read carefully the following instructions before installing your shower enclosure to ensure safe and proper use and avoid any injury to either the installer or user. Failure to comply may invalidate your guarantee.





	<ol style="list-style-type: none"> <li>3. The signal wire between the Electric Box and Steam Generator doesn't connect well. (Connect it)</li> <li>4. The wire of the heater between Electric Box and Steam Generator doesn't connect well. (Connect it)</li> <li>5. Anti-dry heating protection works. (Restore)</li> <li>6. The water inlet valve is broken ( Replace it)</li> <li>7. Steam Generator or Electric Box is broken. (Replace it)</li> </ol>
Leak-protection switch works	<ol style="list-style-type: none"> <li>1. Leakage of the AC220V power supply. ( Bind it)</li> <li>2. Leakage of the heater inside the steam generator. ( Replace it )</li> <li>3. The leak -protection switch is not good. ( Replace it )</li> </ol>
Smoke comes from steam output, or bad smell	<ol style="list-style-type: none"> <li>1. Inside the Steam Generator, the water level wire is in short circuit or there is water in the level sensor. ( Debug the short circuit and dry the level sensor)</li> <li>2. Steam Generator or Electric Box is broken. (Replace it)</li> </ol>
Get an electric shock, but the leak-protection switch doesn't work.	<p>The ground wire doesn't connect well. (Please make sure that the ground wire of the shower room connect the ground well)</p>

**8. Special Declaration:**

**When this product needs repair, please contact the qualified technician from dealer, otherwise it will be not free.**

5.10. In hard water area, please make descaling rinsing regularly for the steam generator, especially for the probe of the water level sensor. Normally, check it every three months. Following descaling rinsing method is advised: Use 5-10g citric acid to dilute by 1.4L warm water, disassemble the pipe of steam output, and infuse the diluted citric acid into the input of steam generator, then connect the pipe and wait for 60minutes to start the system, after heating for 30minutes to stop and make completely discharge.

5.11. Make sure that all the wires are well connected, output can't be short circuit with each other.

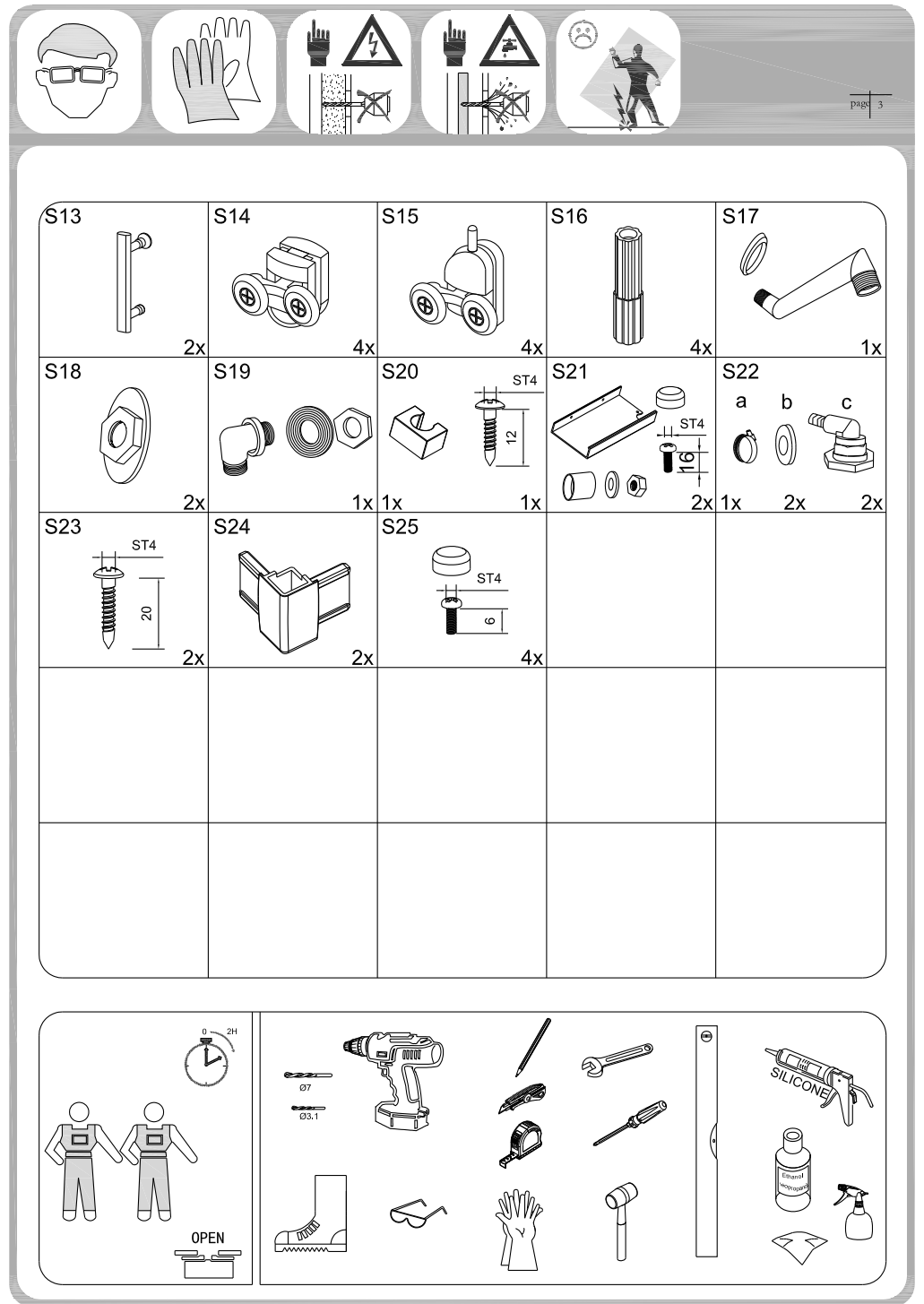
5.12. After used this product, please cut off the power supply to avoid long time machine internal electrification and accelerate ageing.

5.13. The installation of this controller system must follow the instruction and be installed by qualified technician. If user disobey above operation regulation and cause any adverse consequence, our company won't take any responsibility.

### 6. Malfunction Analysis :

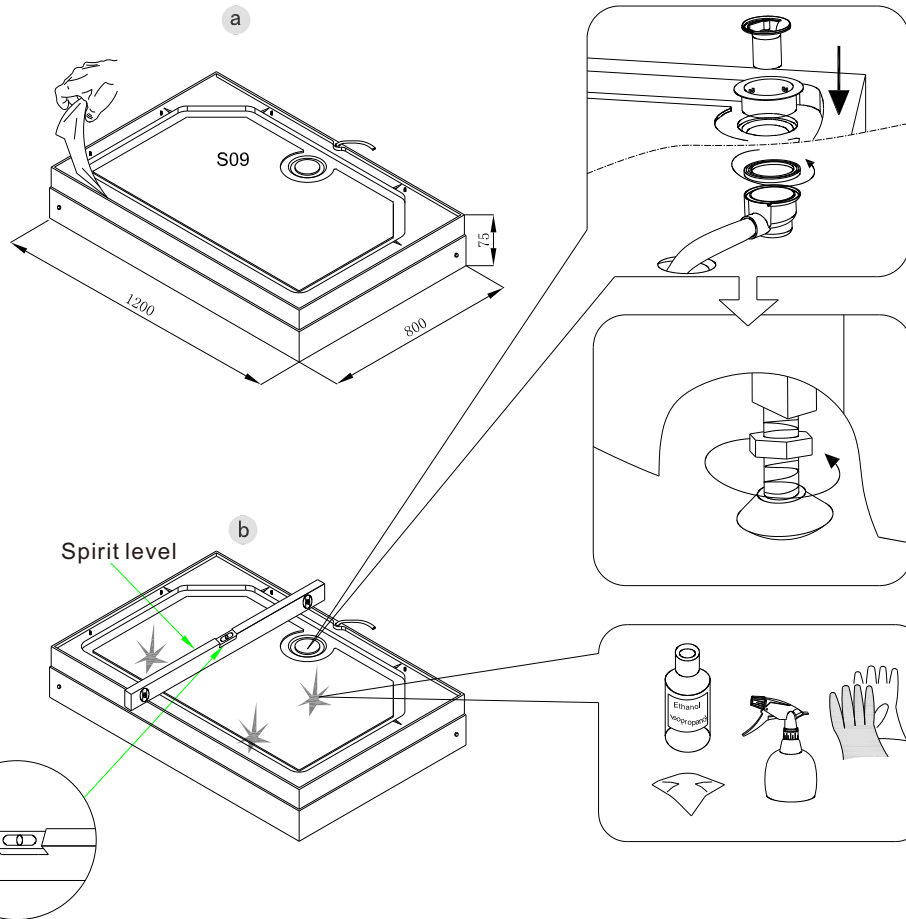
During the operation of this product, if any abnormal malfunctions happen, please ask qualified technician to refer following analysis to remove malfunctions.

Malfunctions Type	Analysis (Solutions)
Can't turn on the system, no display on the screen	<ol style="list-style-type: none"> <li>1. No power connection (Connect power supply)</li> <li>2. Leak -protection switch is off ( Please turn it on), wrong connection inside the electric box ( Modify it)</li> <li>3. Panel doesn't connect properly. (Connect it well)</li> <li>4. Panel or Electric Box is broken. (Replace it)</li> </ol>
Light doesn't work	<ol style="list-style-type: none"> <li>1. Output of the Light is in open circuit. ( Tighten it )</li> <li>2. Output of the Light is in short circuit. (Debug short circuit)</li> <li>3. Light is broken ( Replace it)</li> <li>4. The connection between Light and Electric Box is loose. ( Tighten it)</li> </ol>
Steam engine spray water, and have steam	Normal phenomenon.
Water inlet is running without stopping, spout a lot of water, but no steam comes out.	<ol style="list-style-type: none"> <li>1. The water level sensor loosens. (Tighten it)</li> <li>2. The water inlet valve is broken. ( Replace it)</li> <li>3. Steam Generator or Electric Box is broken. (Replace it)</li> </ol>
No steam comes out from steam generator	<ol style="list-style-type: none"> <li>1. The Electric Heater inside the Steam Generator is broken. (Replace it)</li> <li>2. The signal wire of the water inlet valve inside the Steam Generator is off or in open circuit.(Connect it)</li> </ol>





1



**4. Technical Specification:**

Working Condition and characteristic			
Rated Voltage	AC230V	Rated Frequency	50/60Hz
Rated Current	<=13A	Rated Power	3000W
Insulance	>20M	Waterproof Level	IPX4
Load Parameter			
Load	Rated Voltage	Rated Frequency	Rated Power
Thermostatic Heater	AC230V	50/60Hz	2.8KW
Intake Valve	DC12V		6W
Discharge Valve	DC12V		6W
Dimensions			
Control Pannel	Length*Width*High: 50*50*33		Unit: mm

**Remarks:**

1. The waterless protection of steam generator is adopted by water level sensor.
2. The over-heater protection of steam generator is adopted by ceramic temperature sensor.
3. Difference steam generators have different rated current and rated power.
4. Without the permission of our technical department, please don't enlarge the load power.
5. This product follows national standard 《Safety of Household and similar electrical appliances》 GB4706.1-2005.
6. The installation of keyboard and electric box are attached in the appendix.

**5. Cautions:**

In order prolong the lifetime of this product and ensure the safety of human being, please read these cautions carefully before using this product.

- 5.1. User must strictly follow our provided circuit drawing and parameter to install the load.
- 5.2. The earth wire of control box must be well connected on the circuit.
- 5.3. User must use at least 3x2mm<sup>2</sup> power supply which meet the nation standards (GB), the socket of power supply of the control box must be at least 20A, and fix it reliably.
- 5.4. User must add extra 20A or above national standard air switch or leakage switch, the leakage switch of control box is only used as complement.
- 5.5. Please check and ensure the pipe of water intake, steam pipe, power control box, power supply of electric box are in good condition, then turn on the power. (Attention: Ensure that water provided)
- 5.6. The inner hole of the steam pipe should be at least 15mm, strictly forbid to install valve on steam pipe.
- 5.7. Please don't connect electric equipment from other supplier to our steam generator. Forbid to disassemble, refit our inside fixed wire connection.
- 5.8. The quality of water used for steam generator should meet the water standard.
- 5.9. When install the pipe of steam generator, we suggest that add the filter onto the water intake to prolong the lifetime.

## 1. Keyboard View



page 24

## 2. Function Description

Steam Key

When system is standby, press Steam Key, the key illuminates green, and steamer becomes to work. It automatically intakes water after draining for 20 seconds. After water reaches the standard level, automatically turn off the water intake valve, and then heater starts to work.

If heater works continually for 5 minutes but without water intaking, it will intake water for 1 second by force.

When Sauna function continues working for 1 hour, it will turn off automatically.

Power Off and Drain: If sauna function works before power -off, it will drain during 3 minutes after turn off the item for 1 minute.

Press Steam Key again, steamer stops.

## 3. Self-Alarm of Malfunctions

**Malfunctions as follows:**

3.1 E1 : Error 1with water feeding: Infuse water at first surpass 2 minutes, the water level doesn't reach the setting water level ,alarm error "E1", infuse water compulsorily.

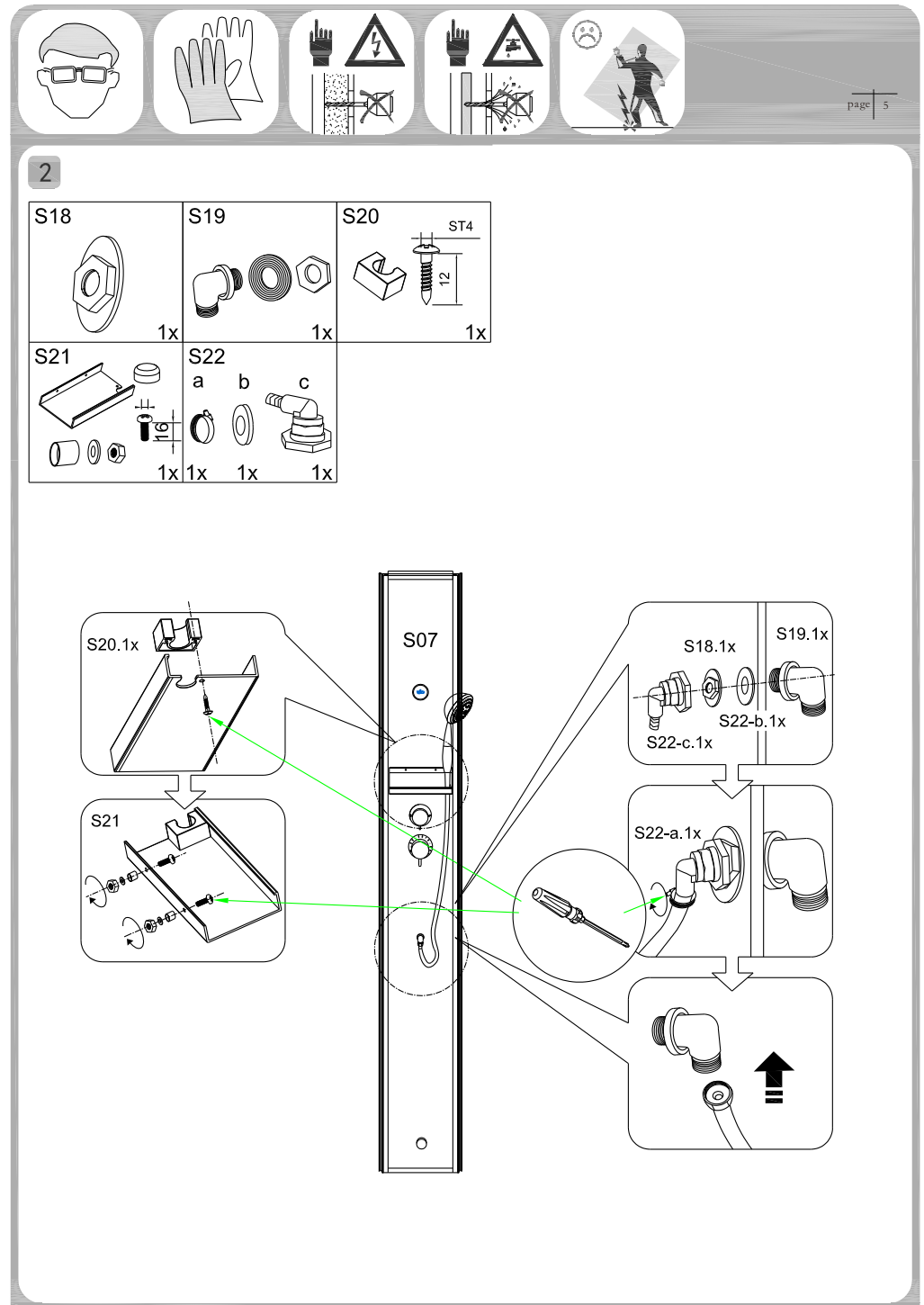
3.2 E2: Error 2with water feeding: Infuse water surpass 5 seconds again, the water level doesn't reach the setting water level, alarm error "E2", stop electric heat in and infuse water continuously.

3.3 E3: Surpass heat protect: After protect switch of electric heat breaks, alarm malfunction "E3", other working process as follows:

Stop electric heat and infusing water 3 seconds---stop infusing water 10 seconds---drain water 30 seconds-stop draining.

After finishing the above process, and check the protect switch of electric heater whether it is closed or not, if it is closed and clear away the malfunction, and it gets into the normal sauna working, or repeat the above process.

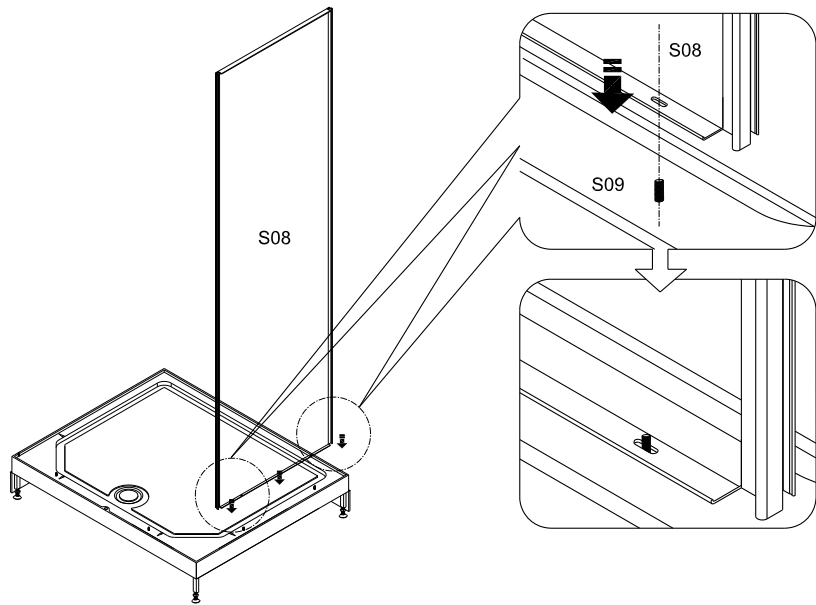
When the system has above troubles, the buzzer will sound the voice "du" long times.



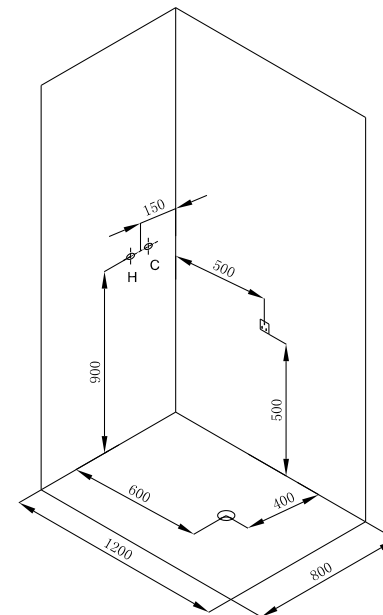
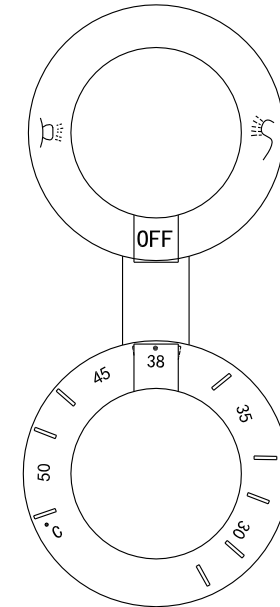
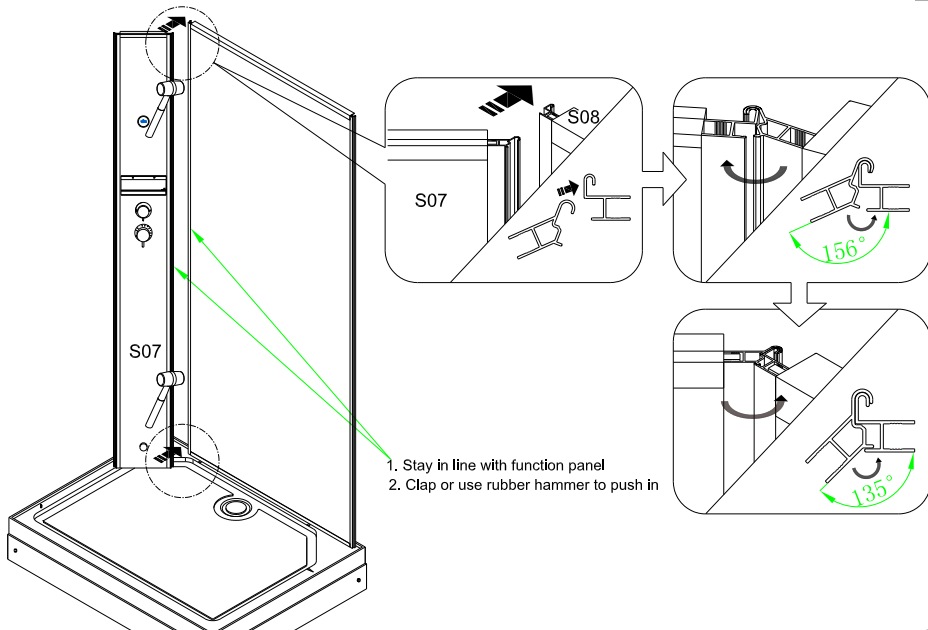
page 5



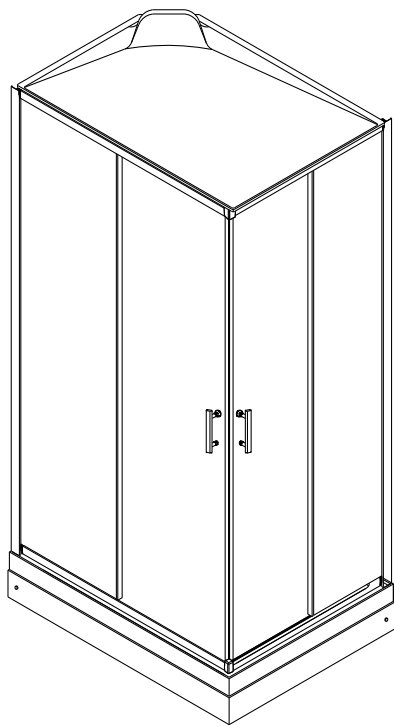
3



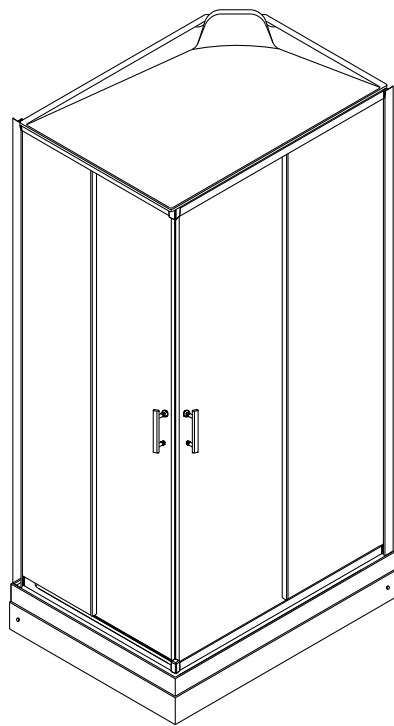
4



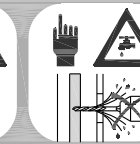
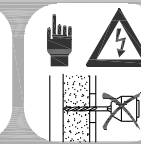
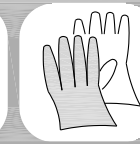




R

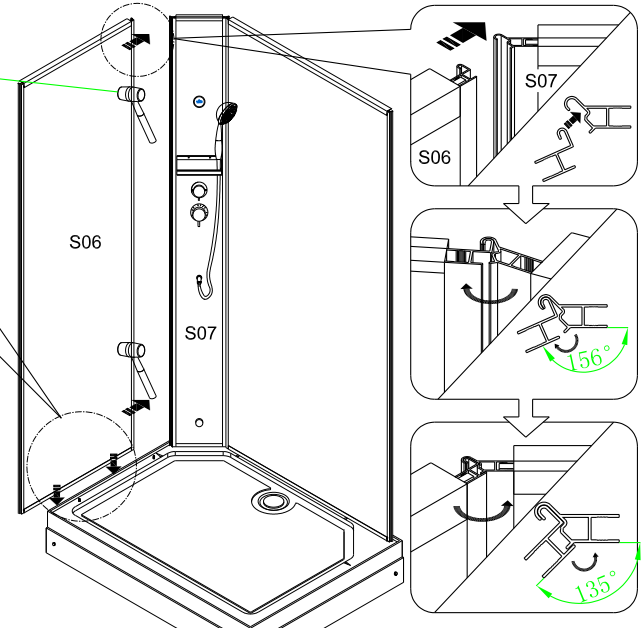
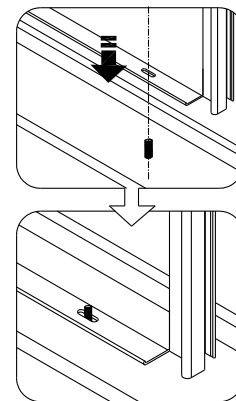


L

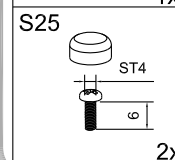
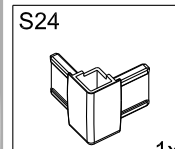
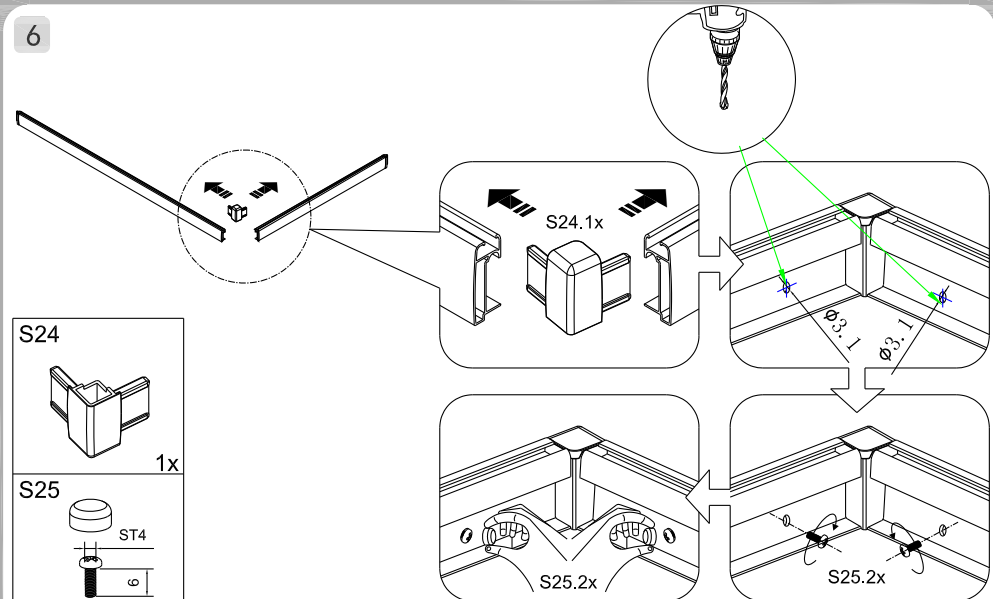


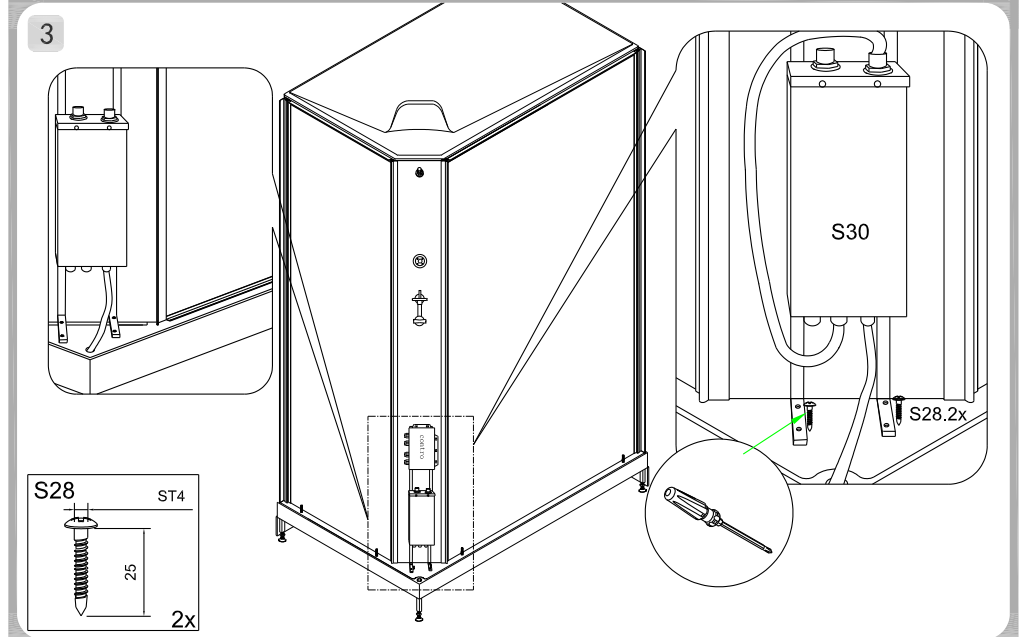
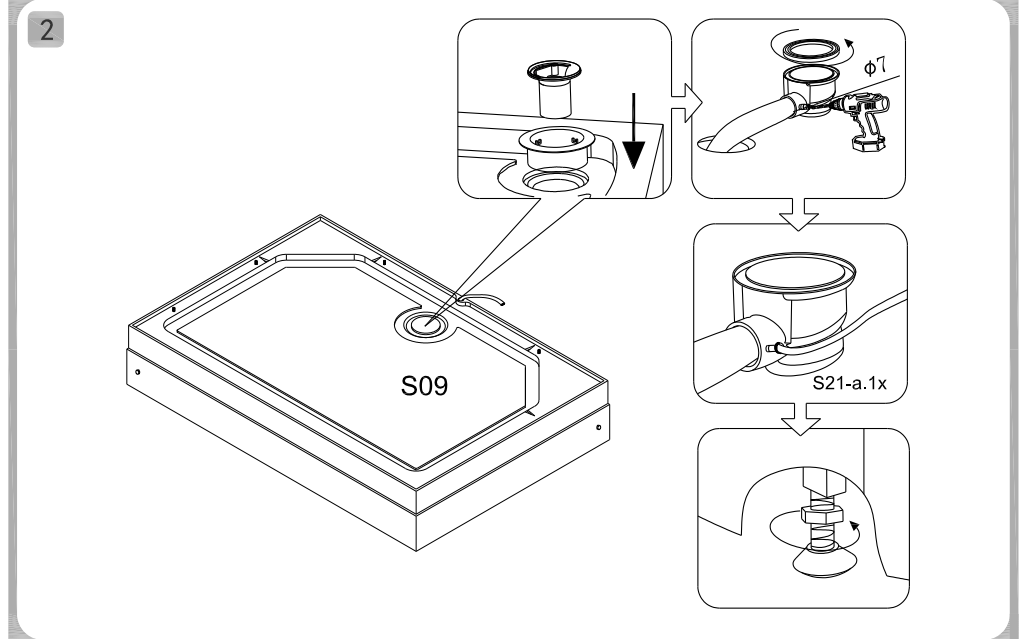
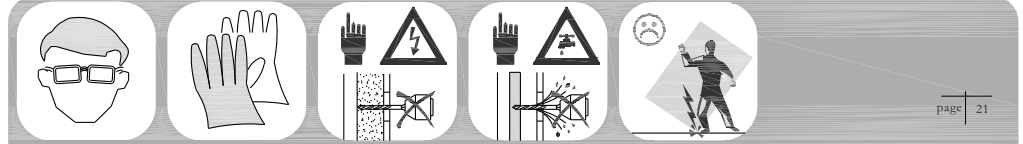
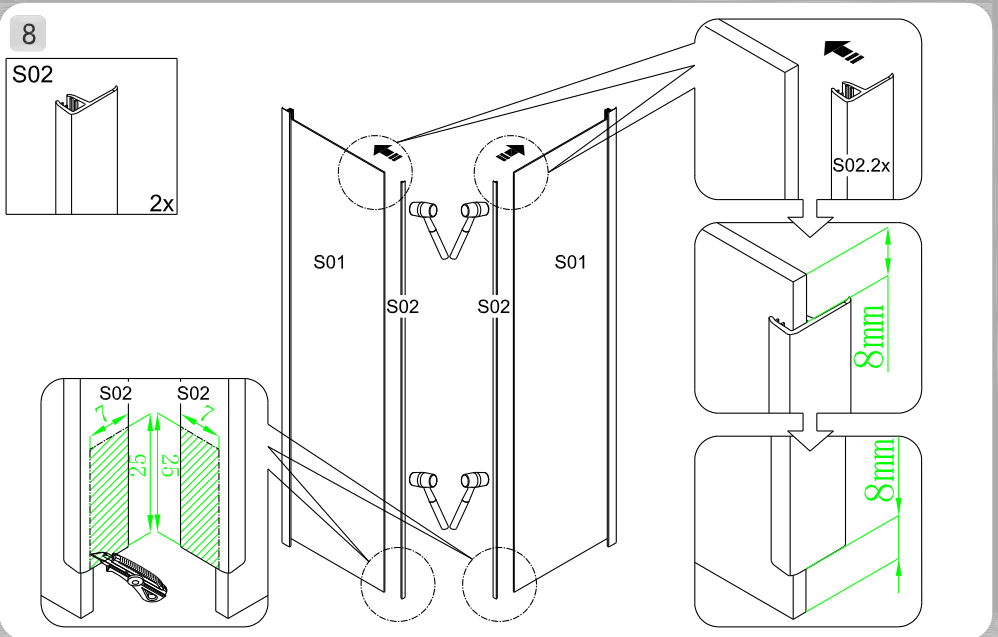
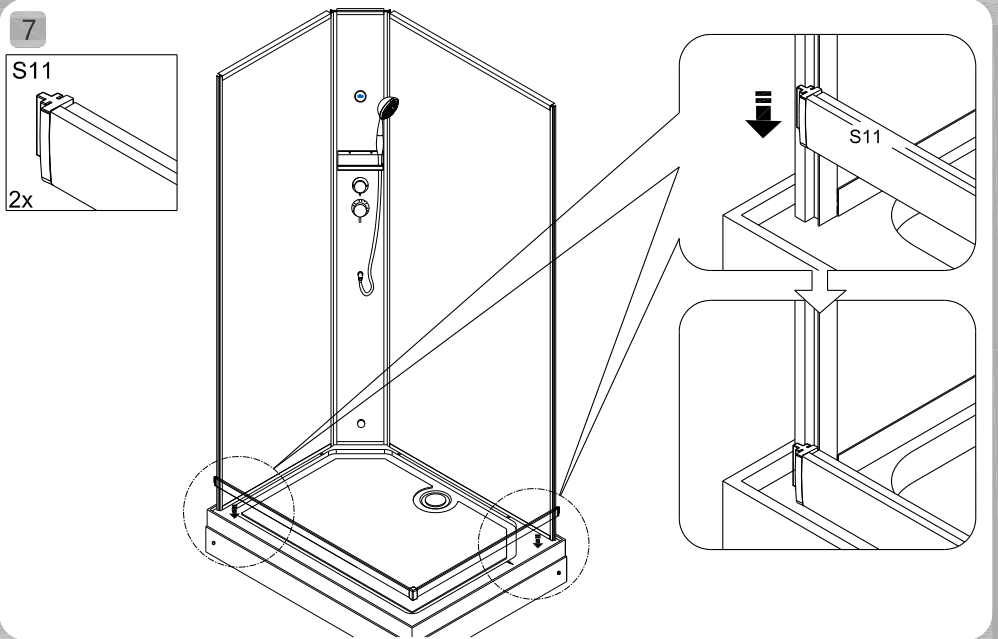
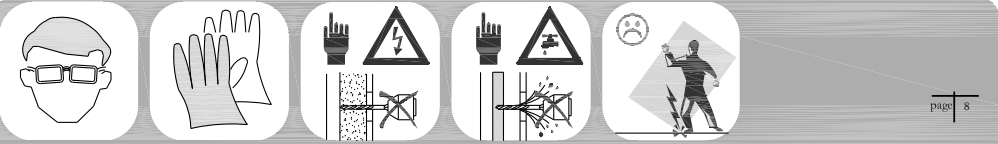
5

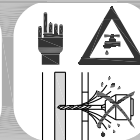
1. Stay in line with function panel
2. Clap or use rubber hammer to push in
3. If glass panel size is too big, we suggest assemble all back panels on Floor firstly, and then put the assembled frame onto shower tray



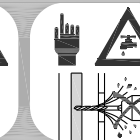
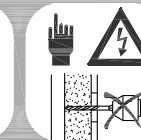
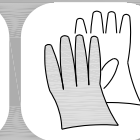
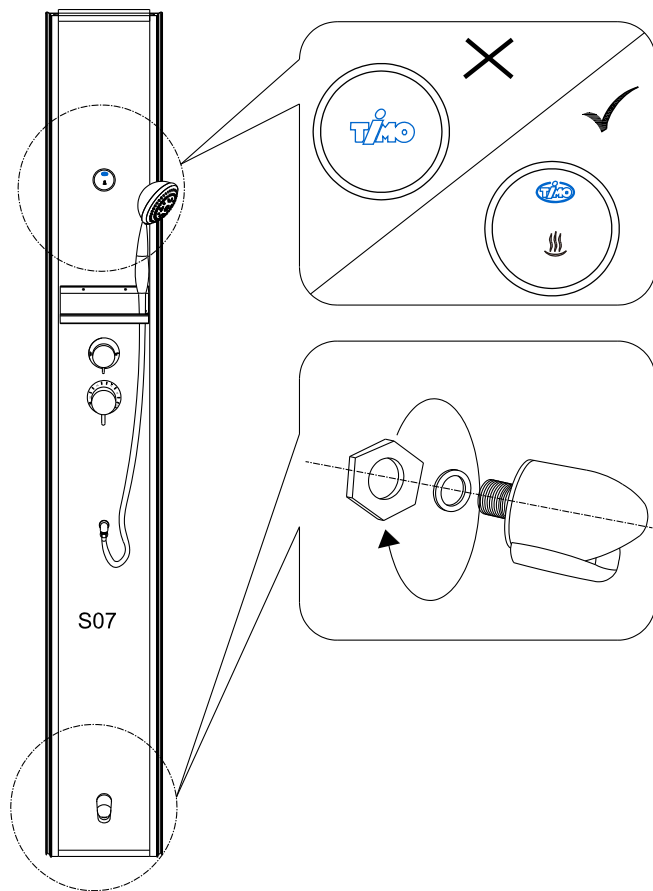
6



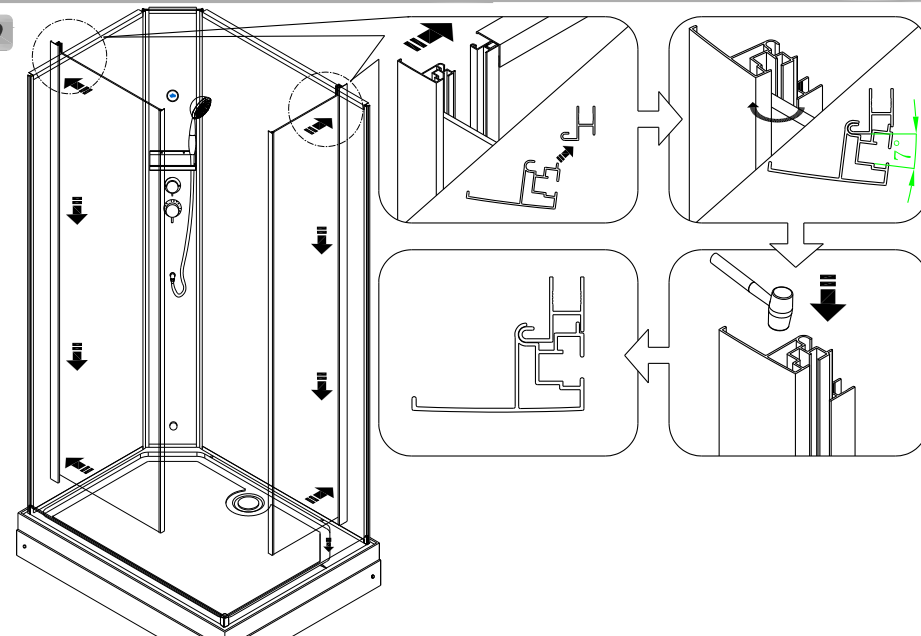




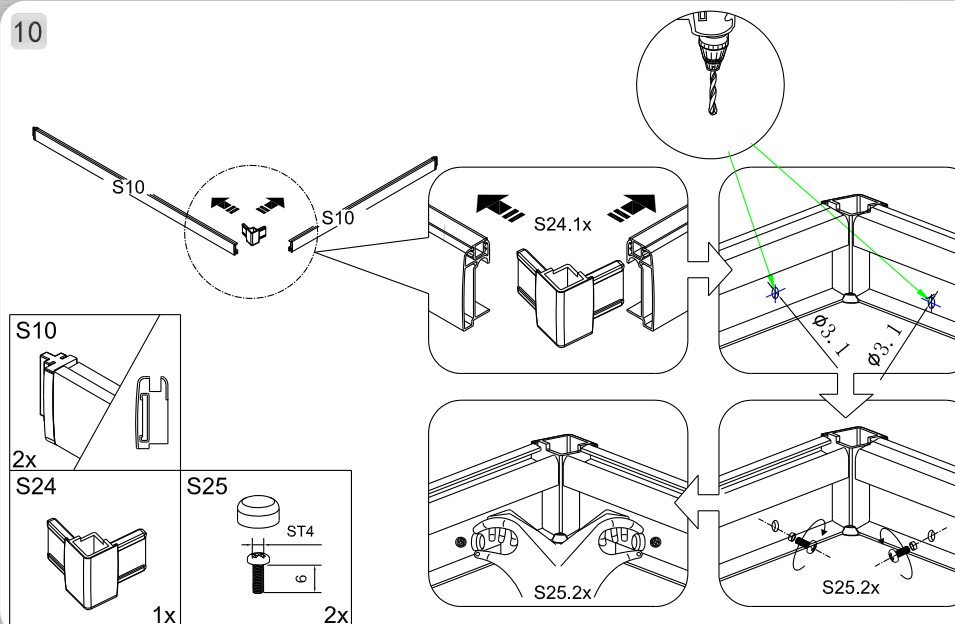
1

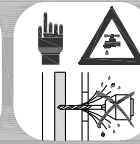


9

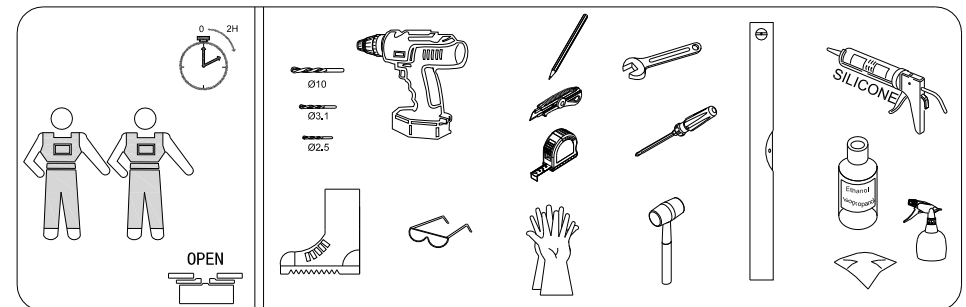
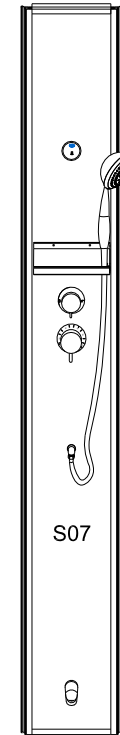
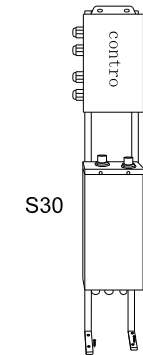
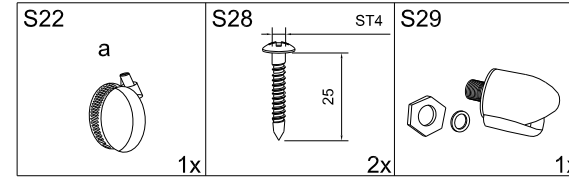
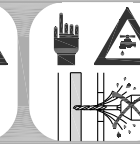
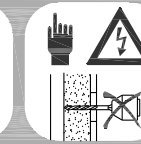
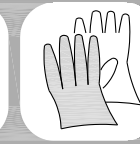
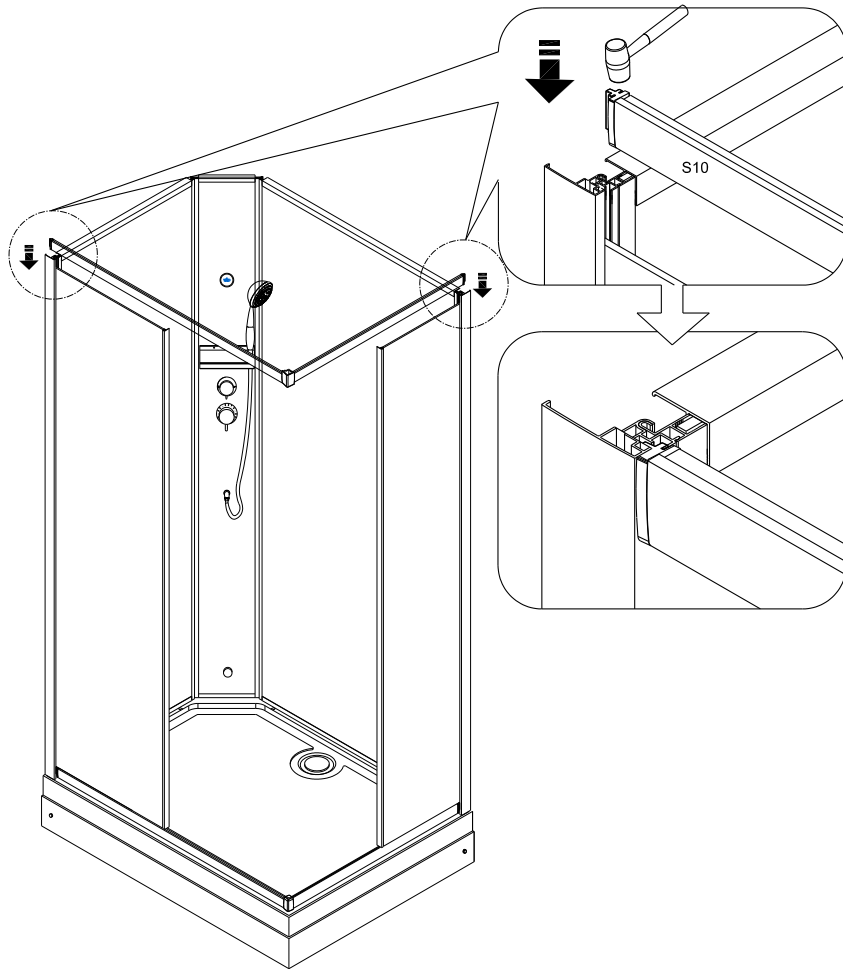


10



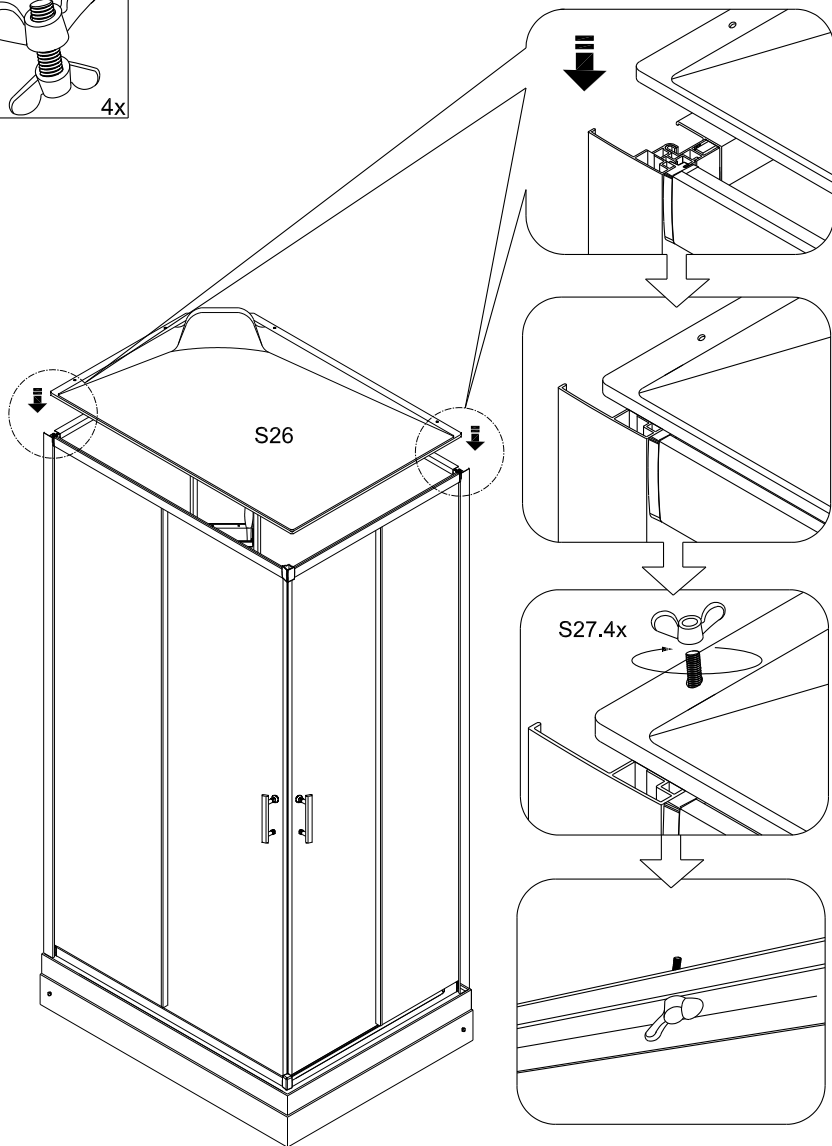
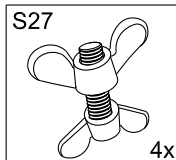


11

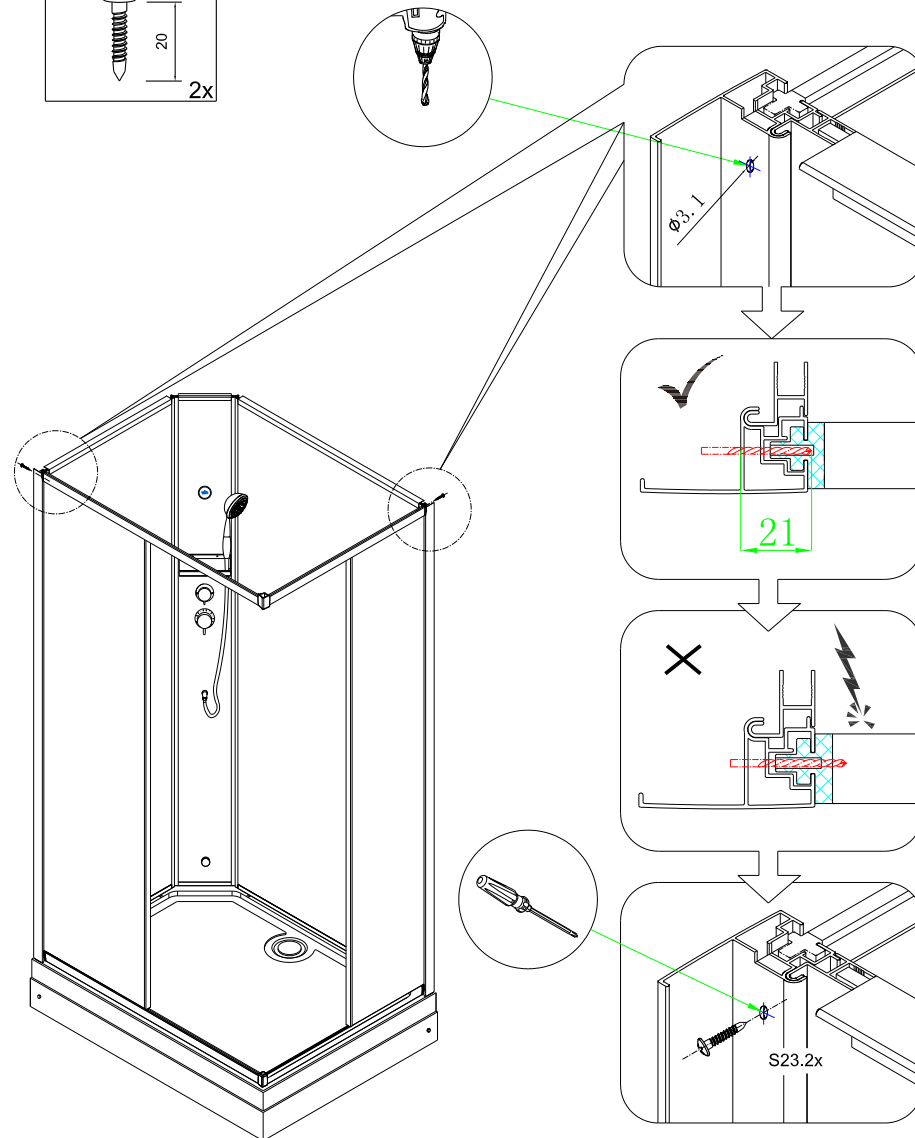
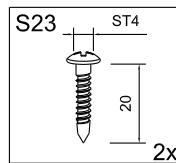




1

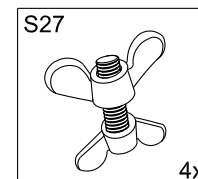
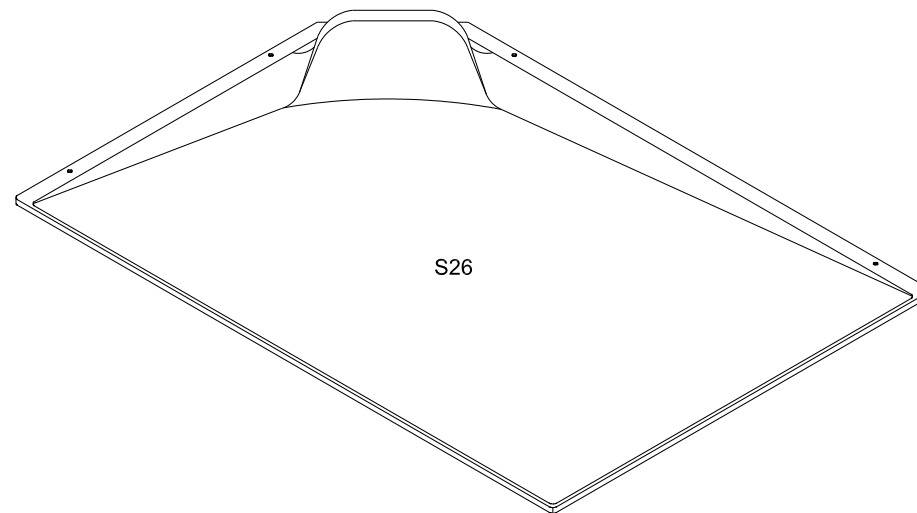
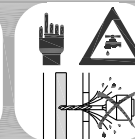
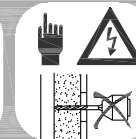
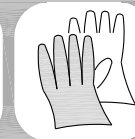
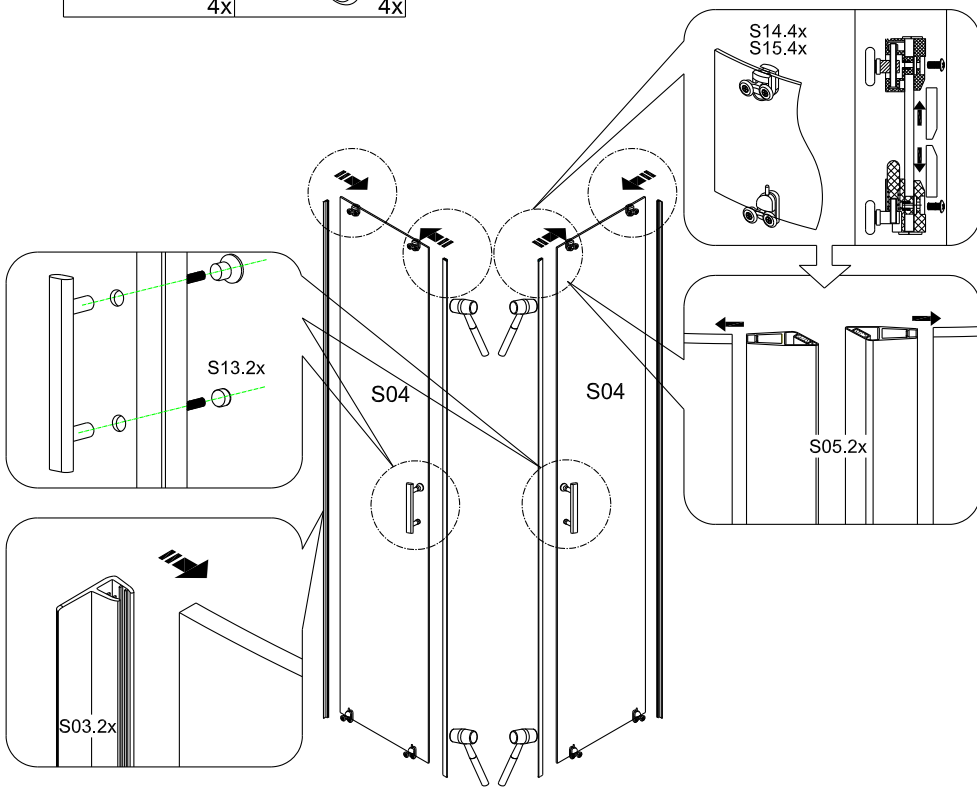
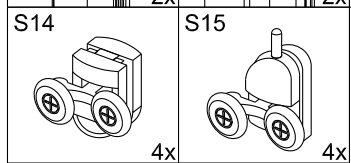
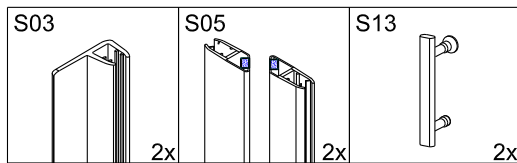


12



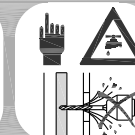
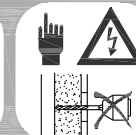
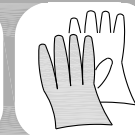
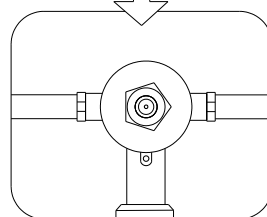
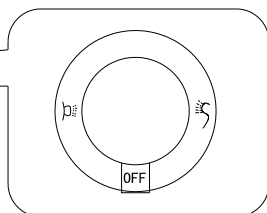
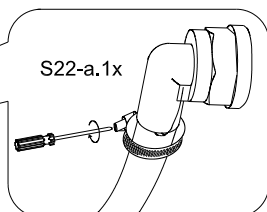
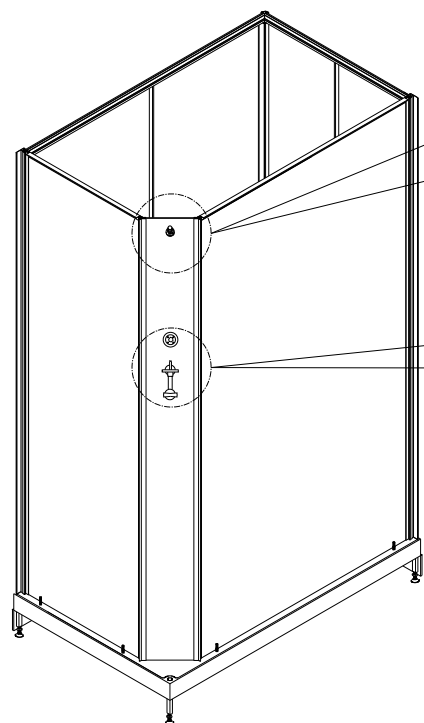
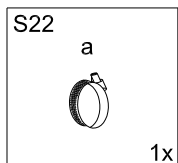


13

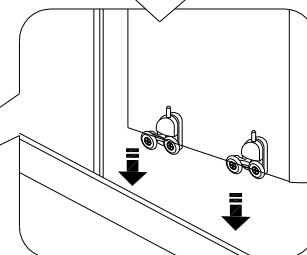
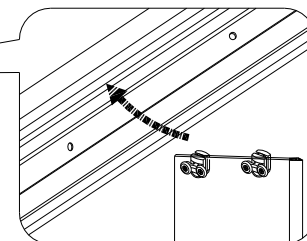
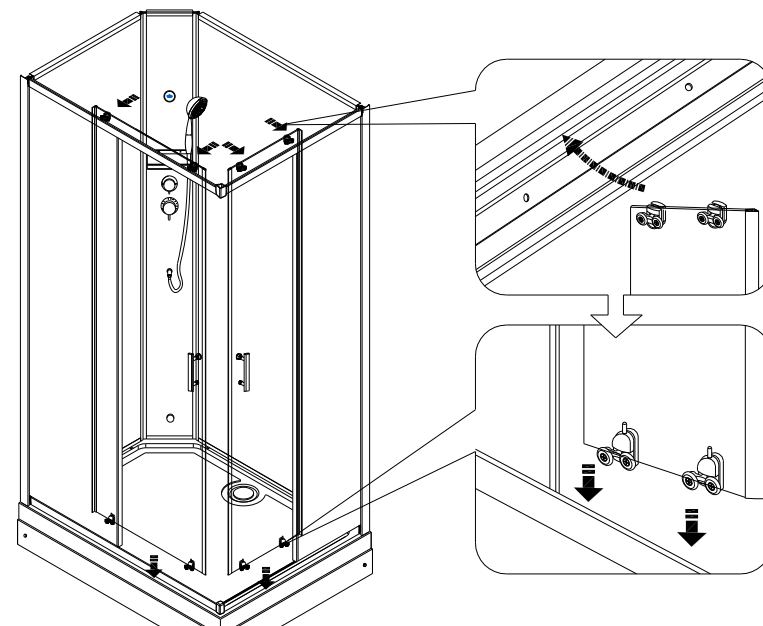




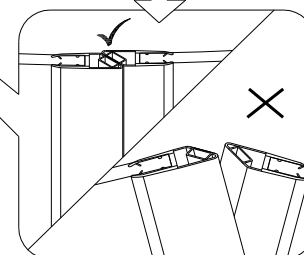
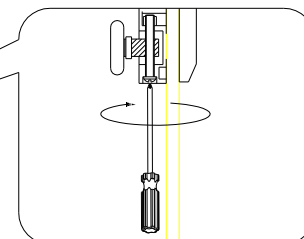
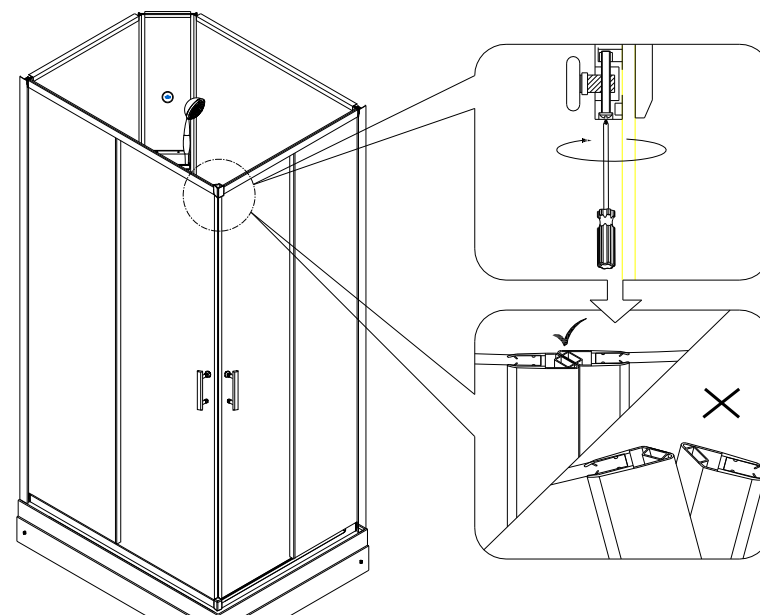
19

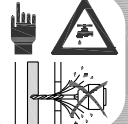


14

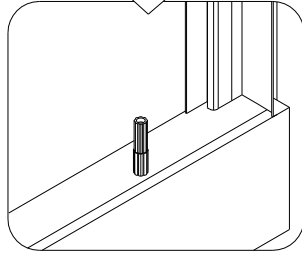
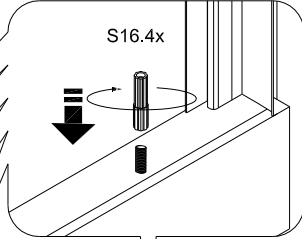
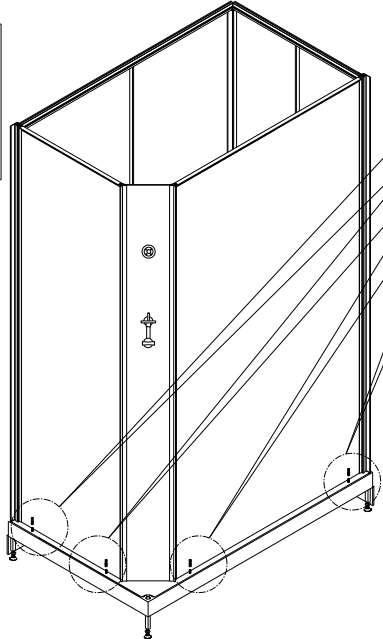
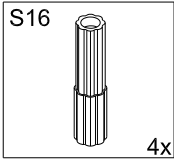


15

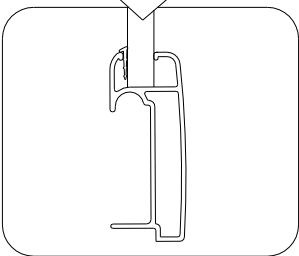
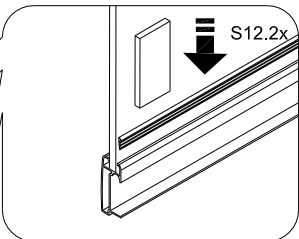
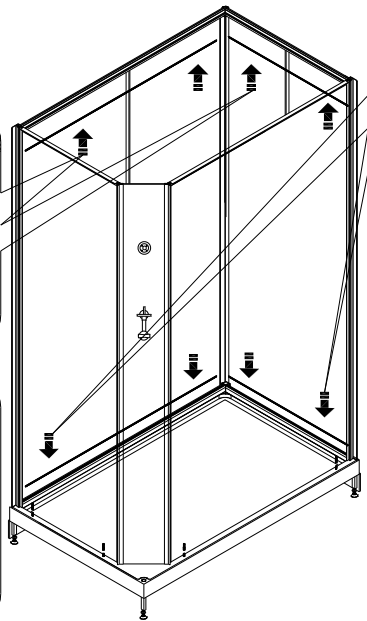
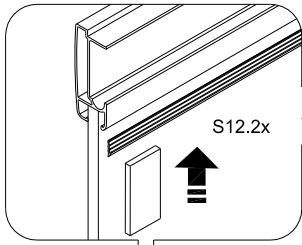




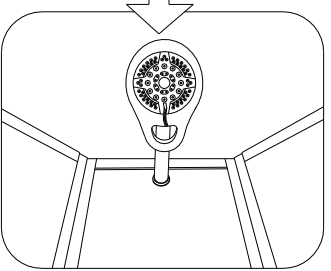
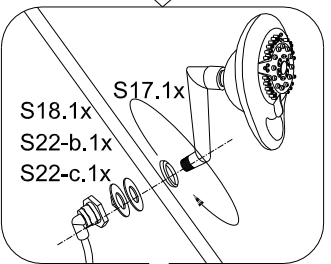
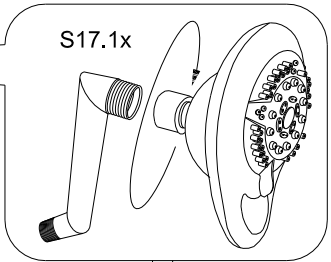
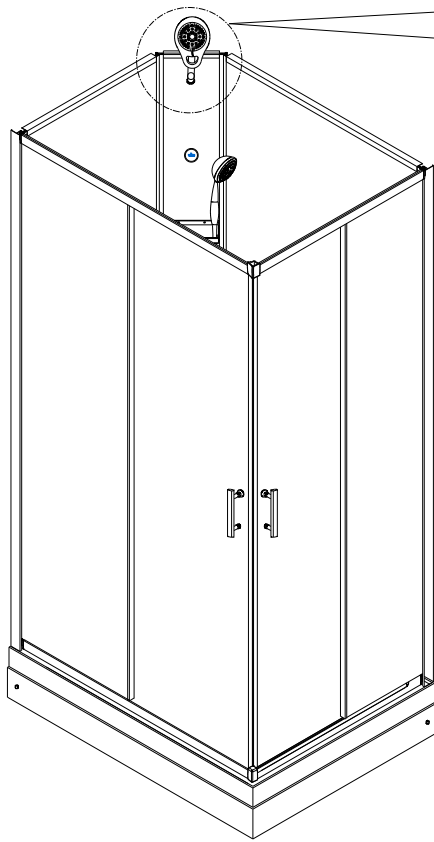
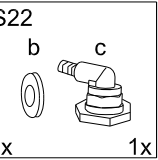
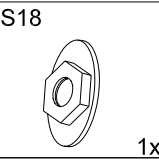
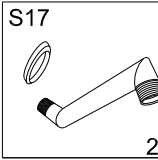
16



17



18





Достоверную информацию уточняйте на [santehnica.ru](http://santehnica.ru).