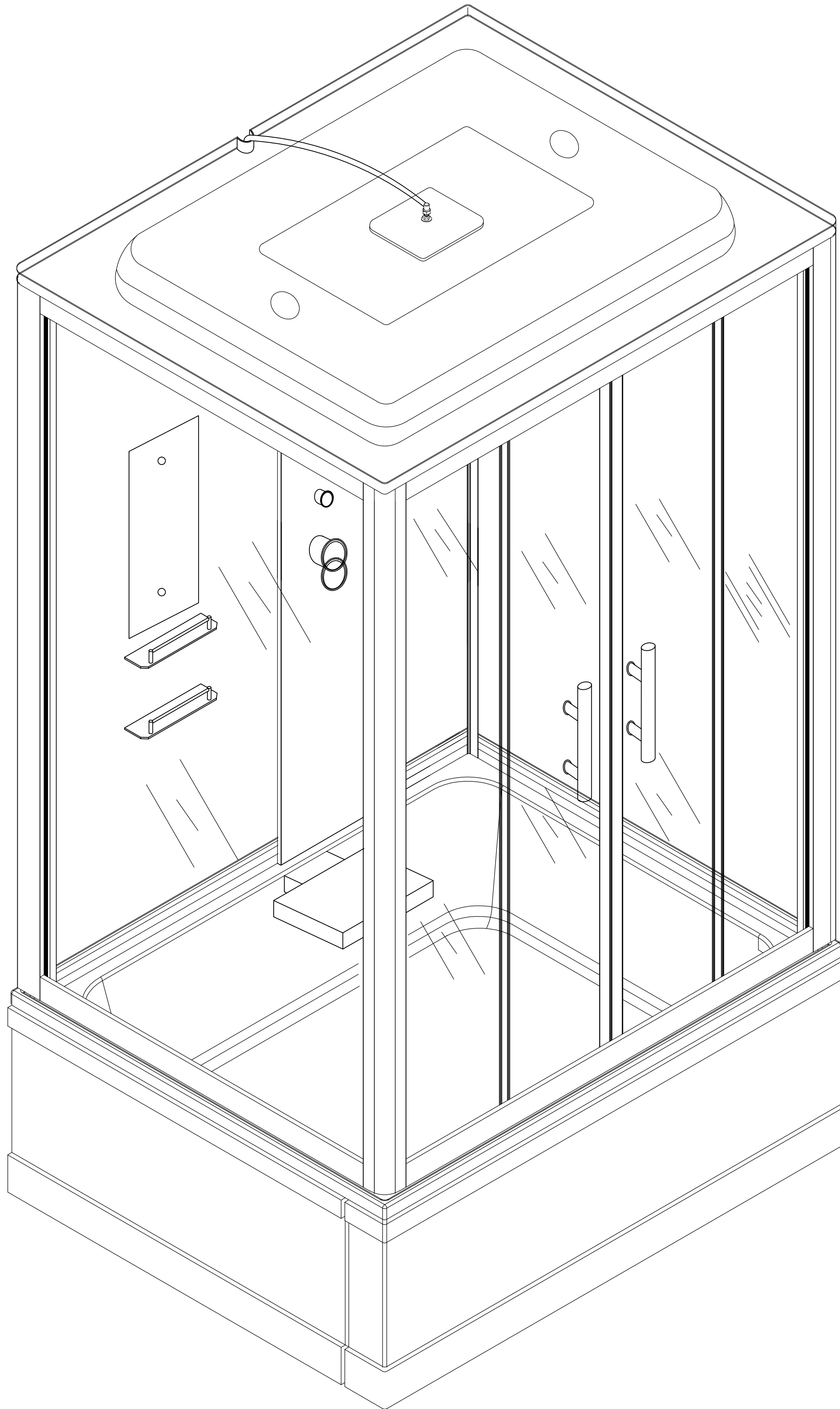
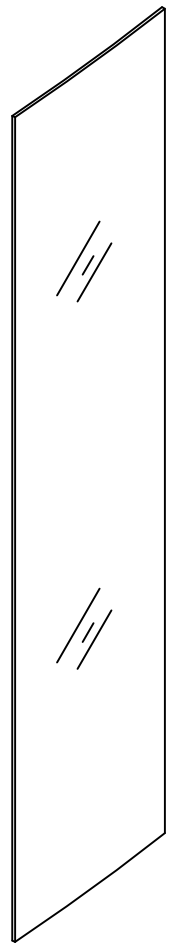


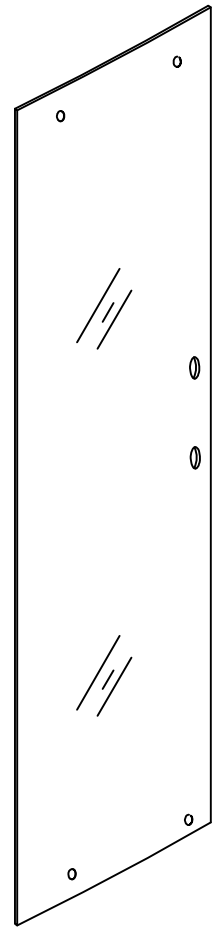
EM4515/EM4516/EM4517



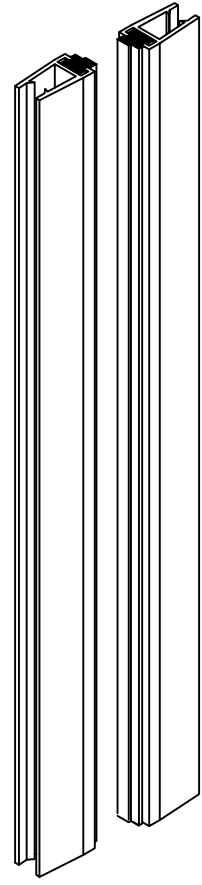
1/5



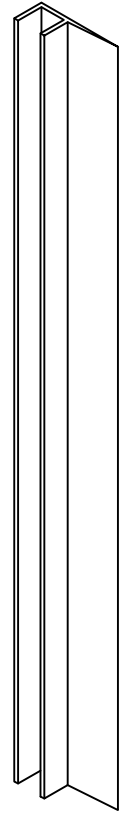
[1]x2



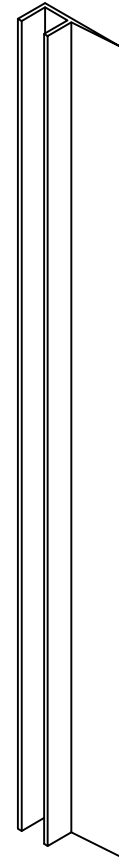
[2]x2



[3]x1



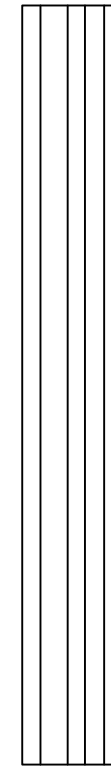
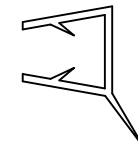
[4]x2



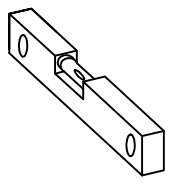
[5]x2



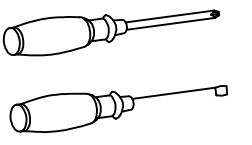
[5-2]x4



[6]x2

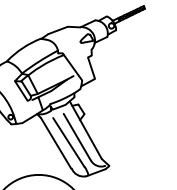


A



B

C

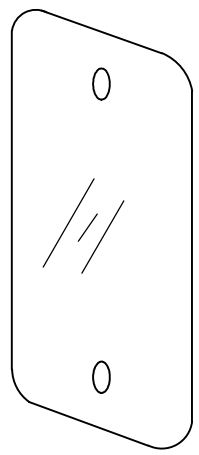


D

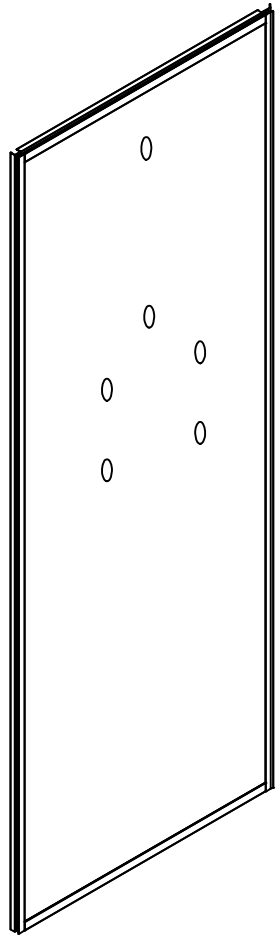


E

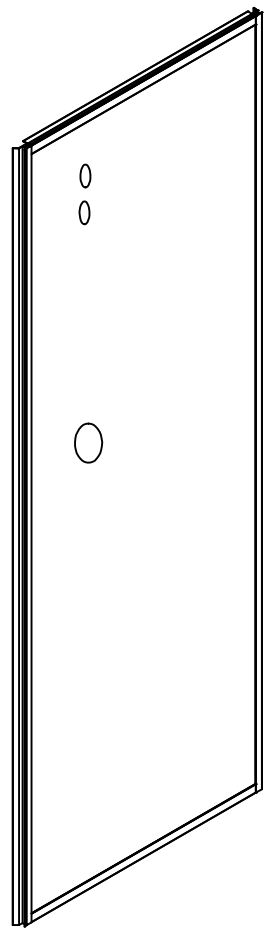
2/5



[6-1]x1

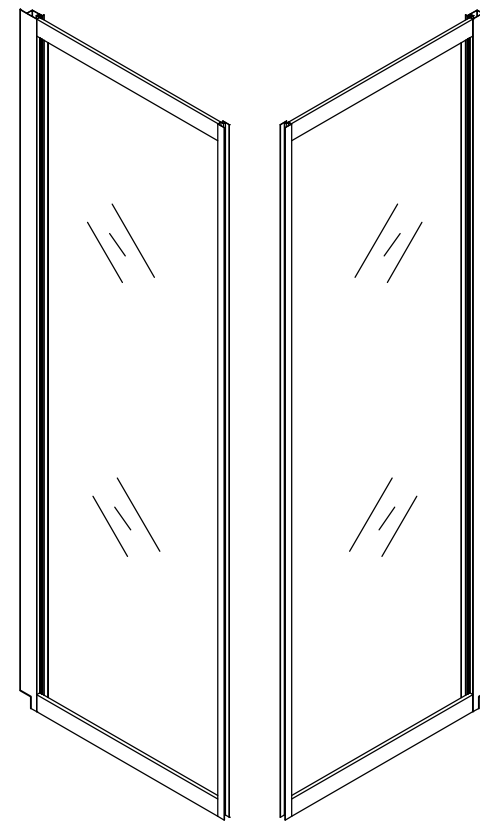


[7]x1

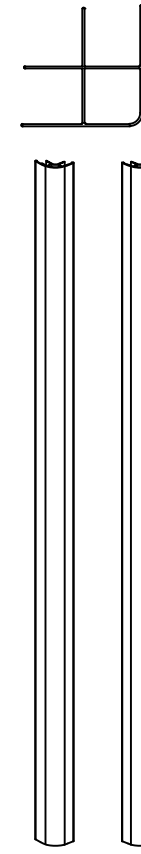


[8]x1

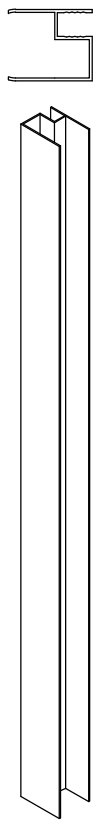
3/5



[9]x2

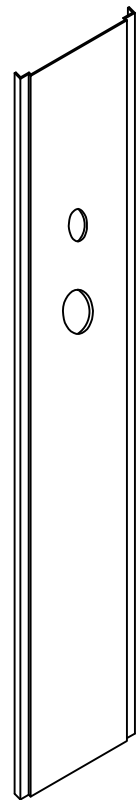


[10]x2

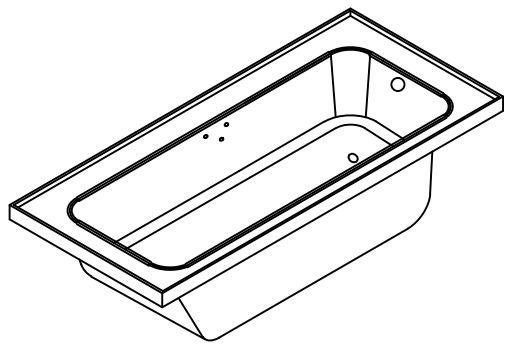


[11]x2

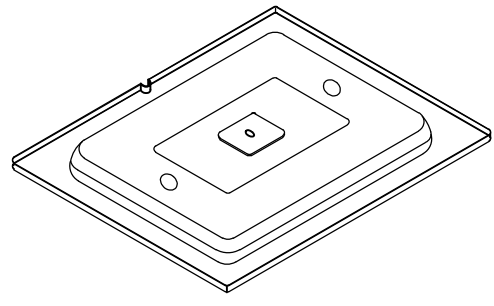
4/5



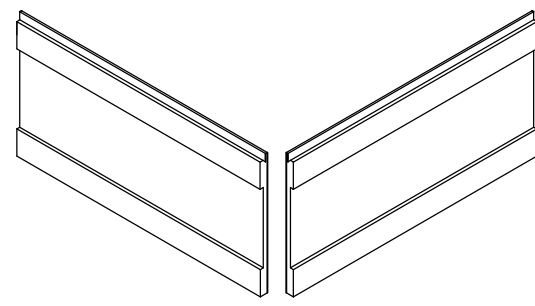
[12]x1



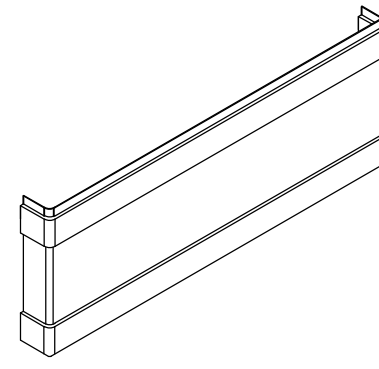
[13]x1



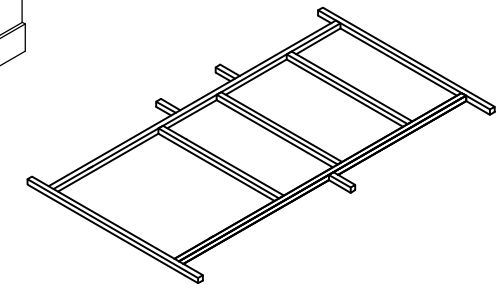
[14]x1



[15]x2

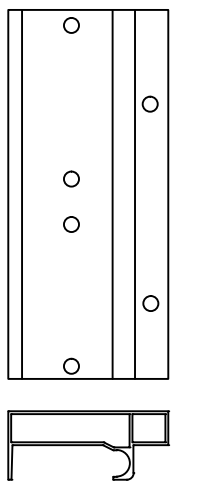


[16]x1



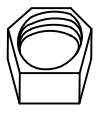
[17-1]x1

[17]x1



[18]x2

Tray -1



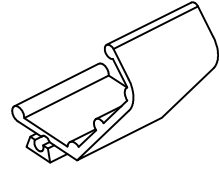
(M12)

[19]x50

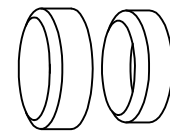


(M12)

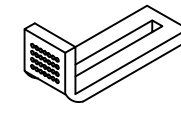
[20]x16



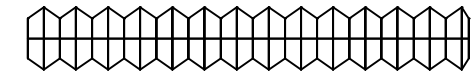
[21]x11



[22]x12

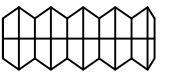


[23]x6



500mm

[24]x7



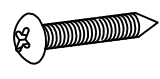
130mm

[25]x3



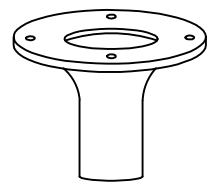
(ST4*40)

[26]x18



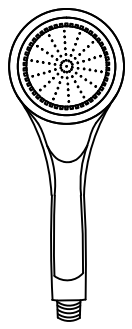
(ST4*16)

[27]x12

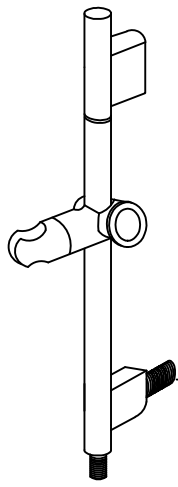


[28]x8

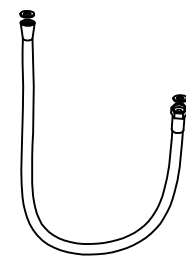
Tray -2



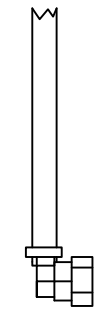
[29]x1



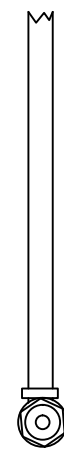
[30]x1



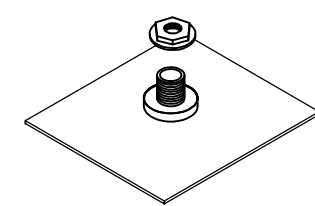
[31]x1



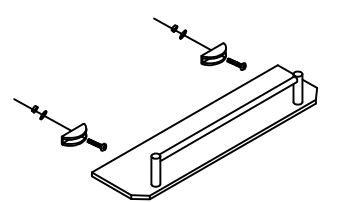
[32]x1



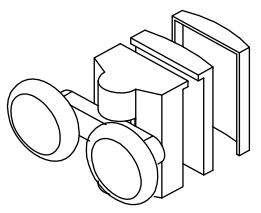
[33]x1



[34]x1

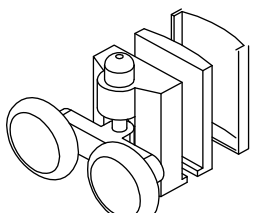


[35]x2



x4

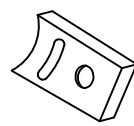
[36]x8



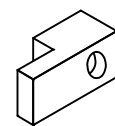
x4



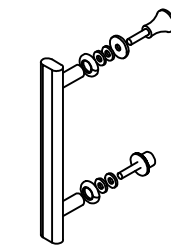
[37]x1



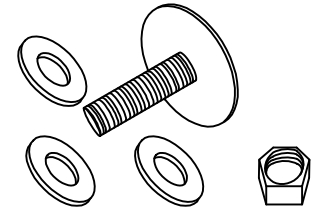
[38]x8



[39]x4



[40]x2

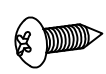


[41]x2



(ST4*25)

[42]x8



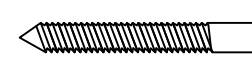
(ST4*12)

[43]x8



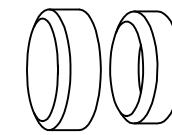
(ST4*10)

[44]x18



($\phi 2.8\text{mm}$)

[45]x1

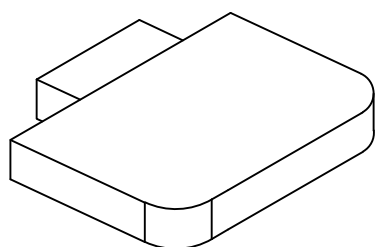


[46]x18

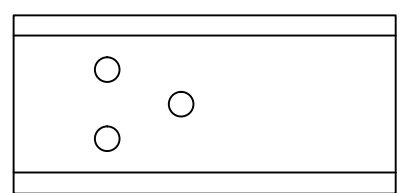


(ST4*14)

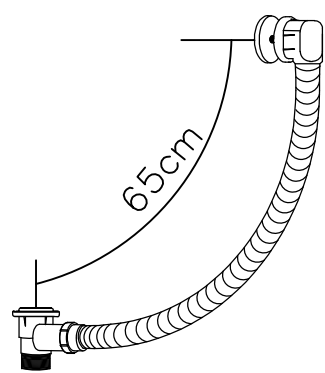
[47]x22



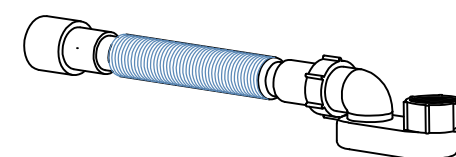
[48]x1



[49]x1

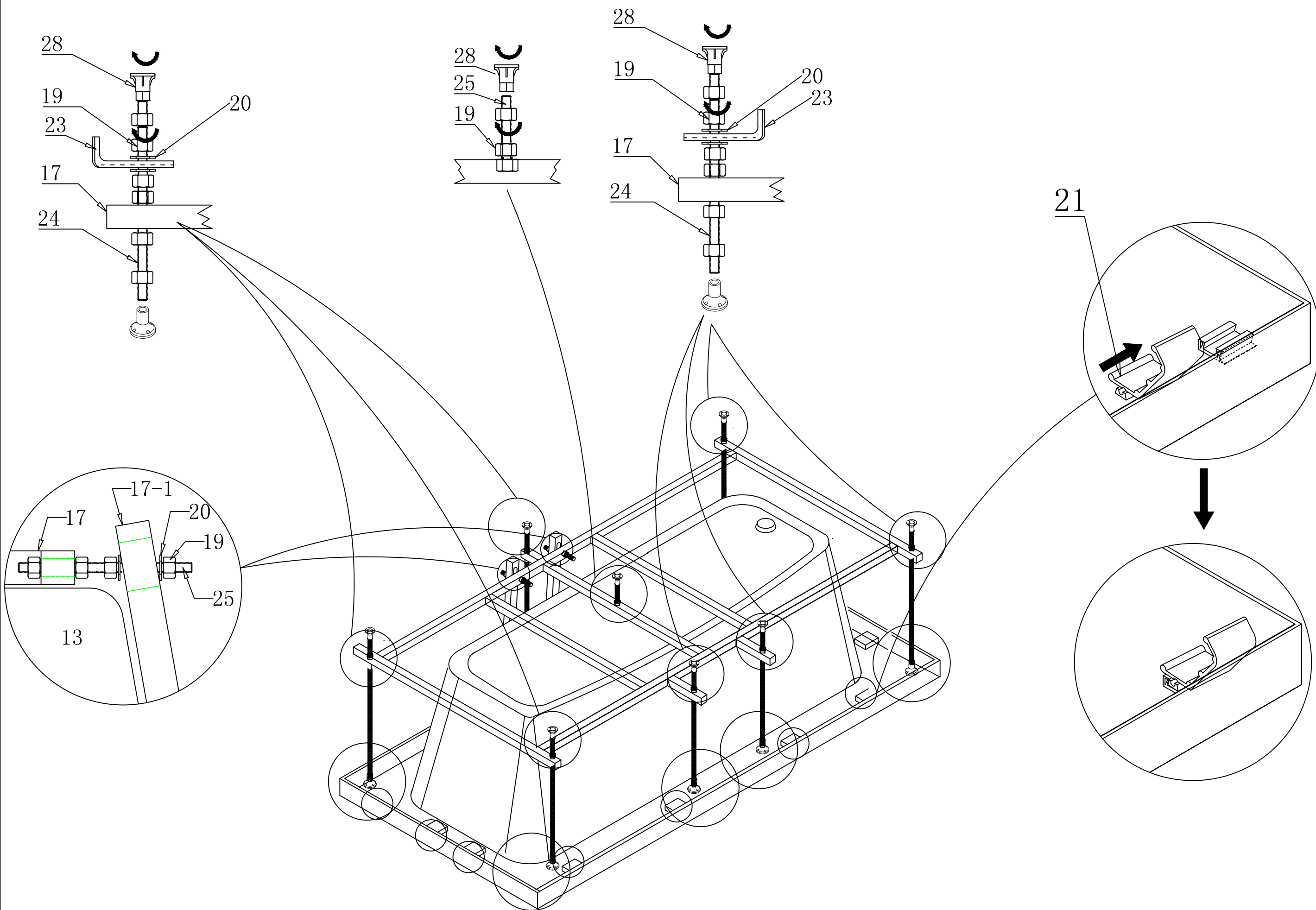


[50]x1

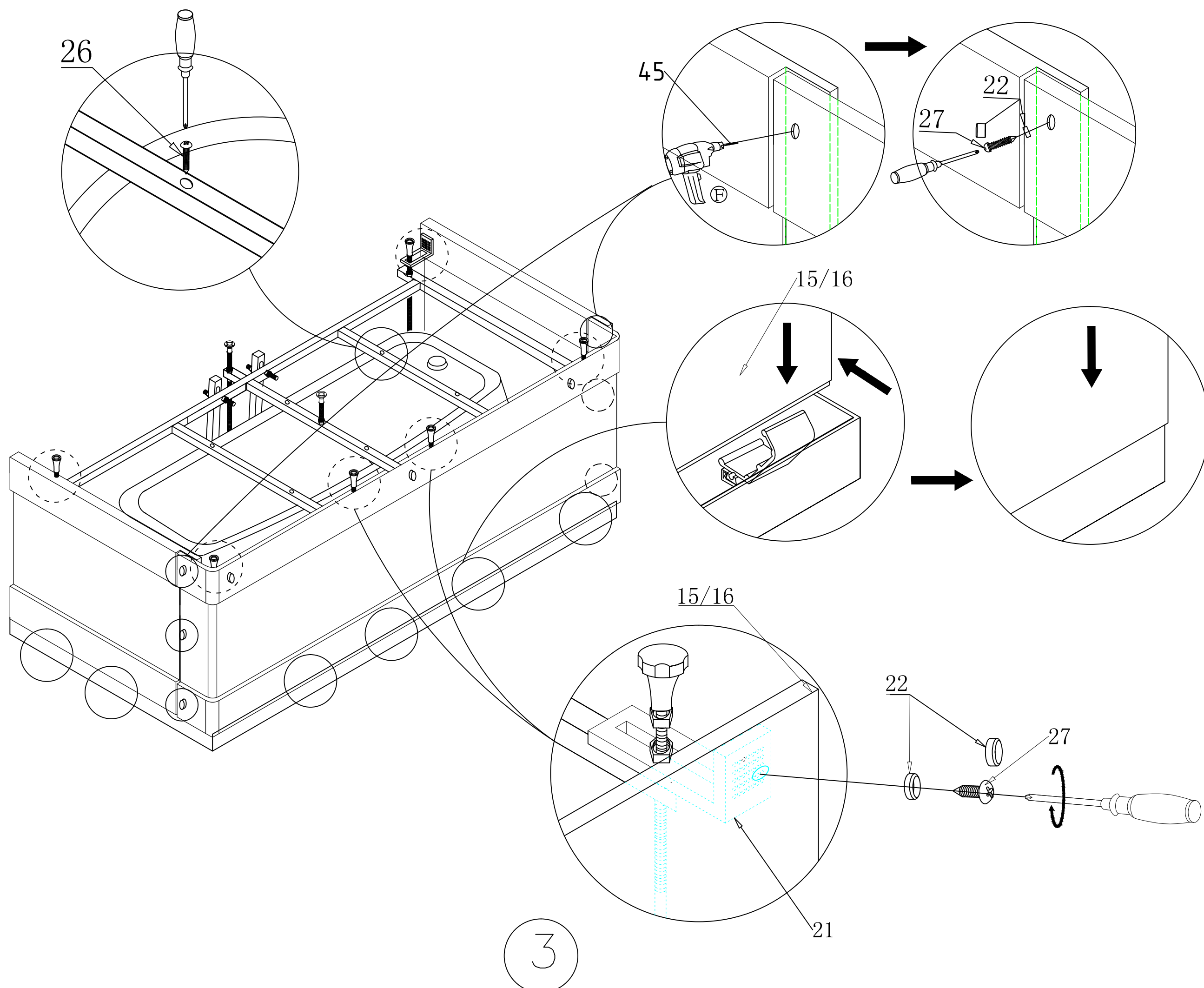


[51]x1

1:

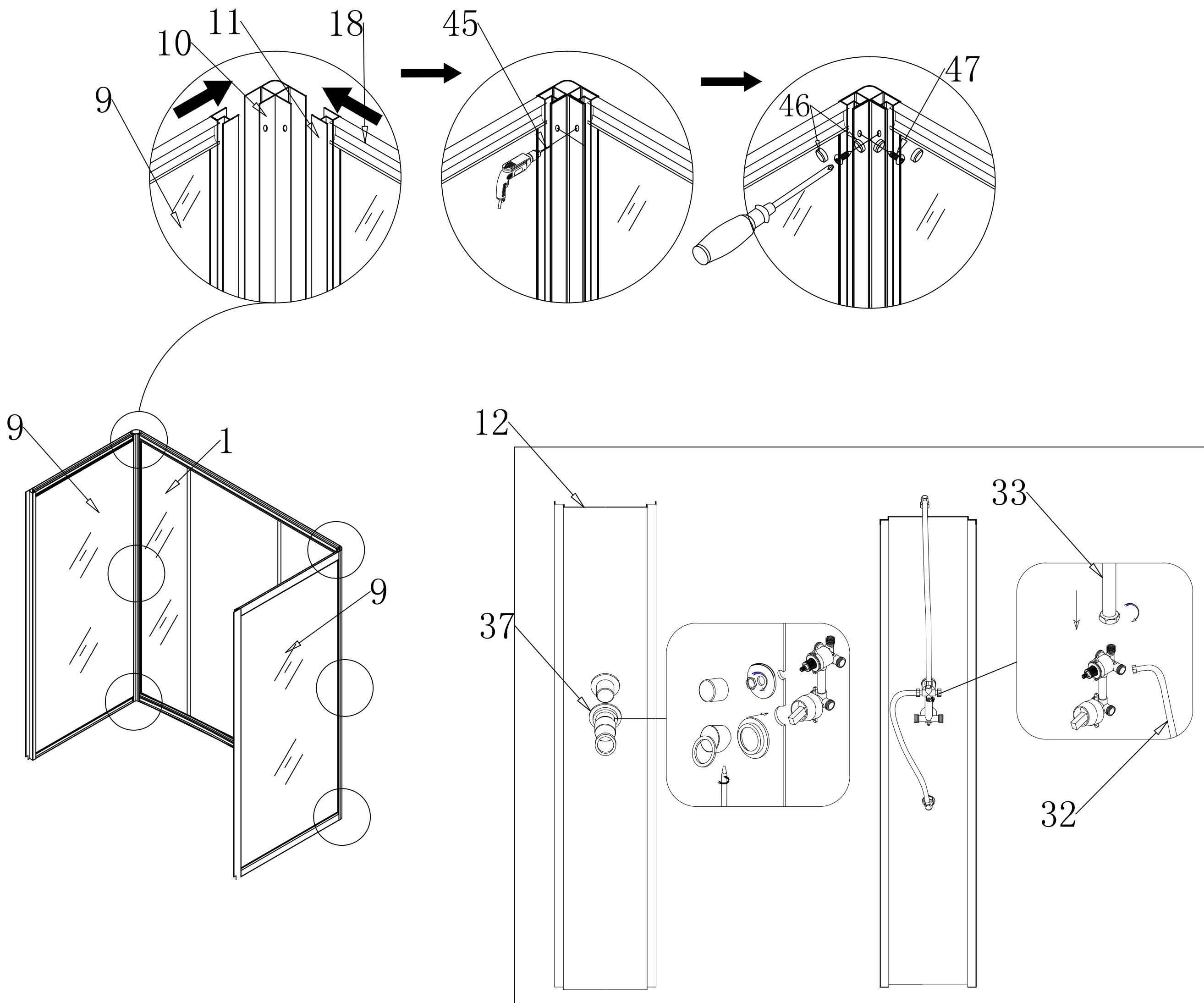


2:

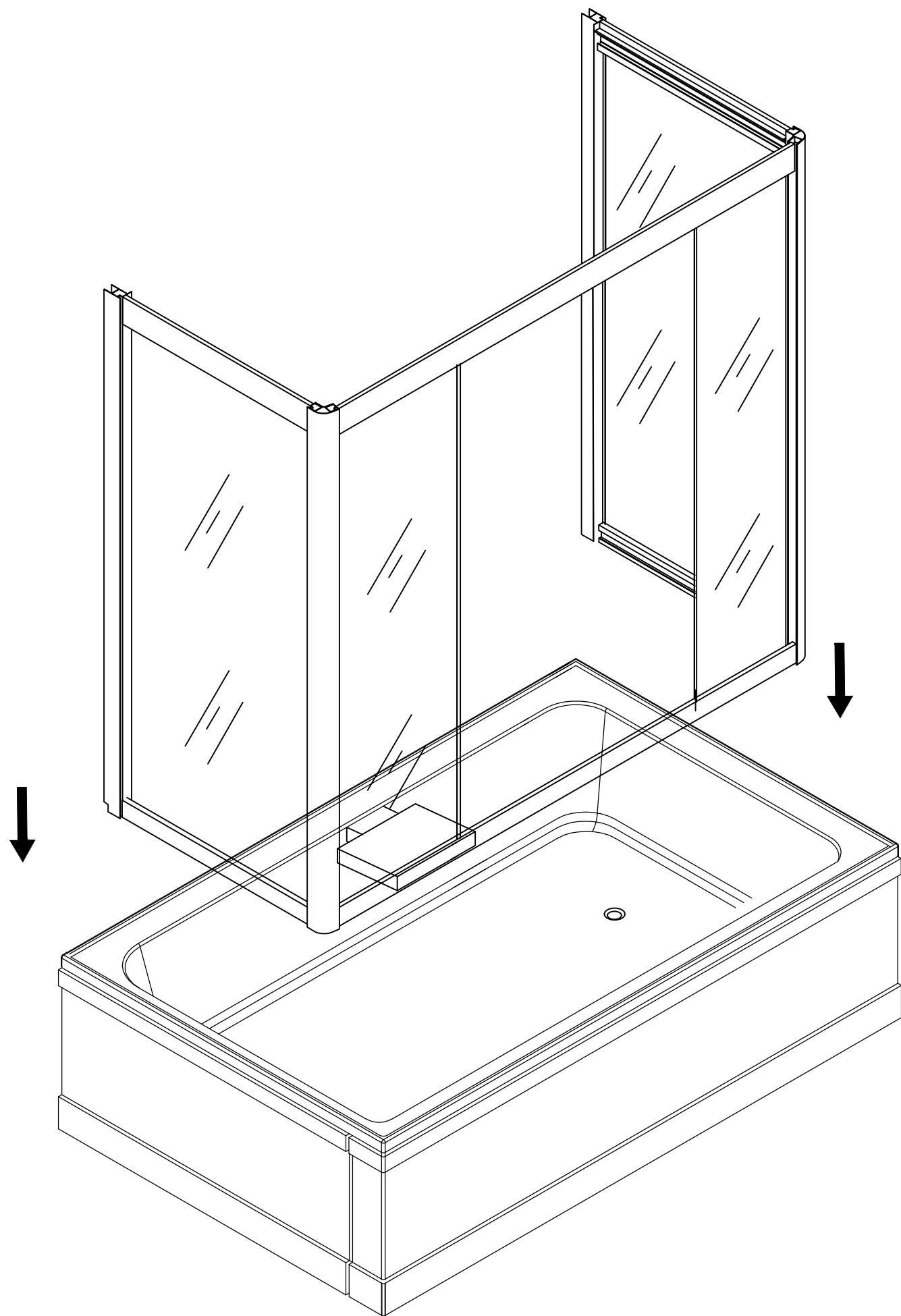


3

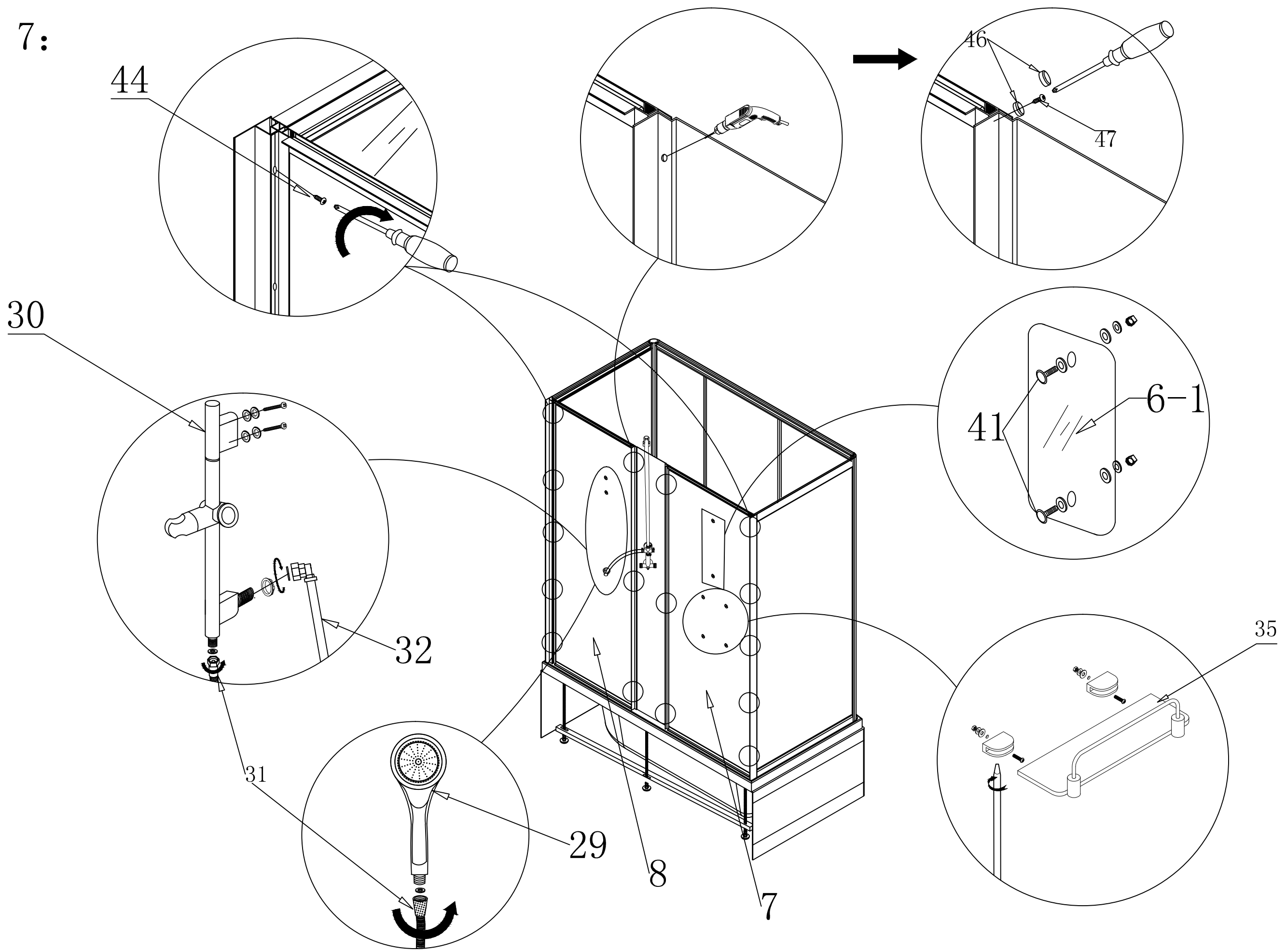
5:



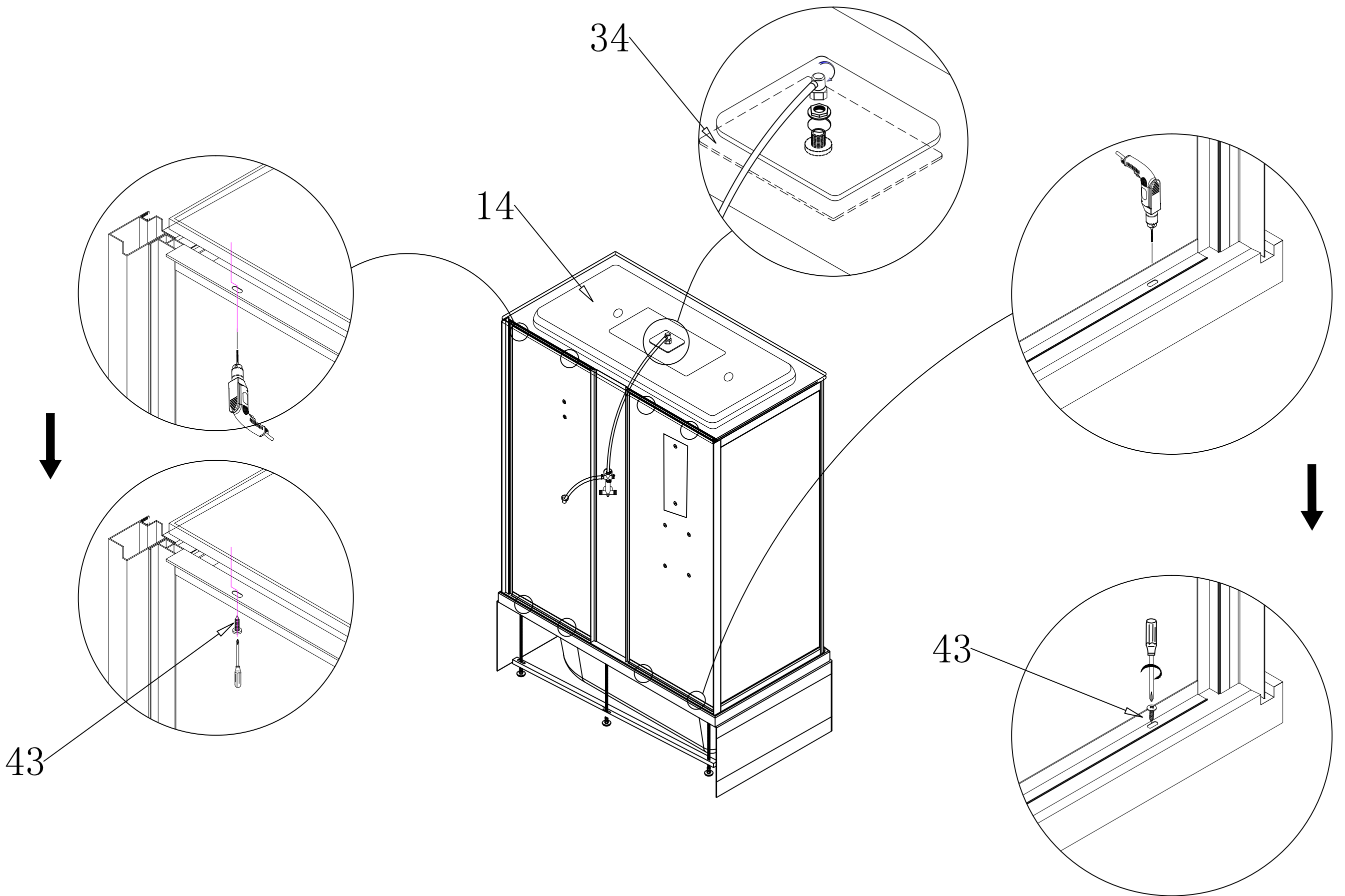
6:



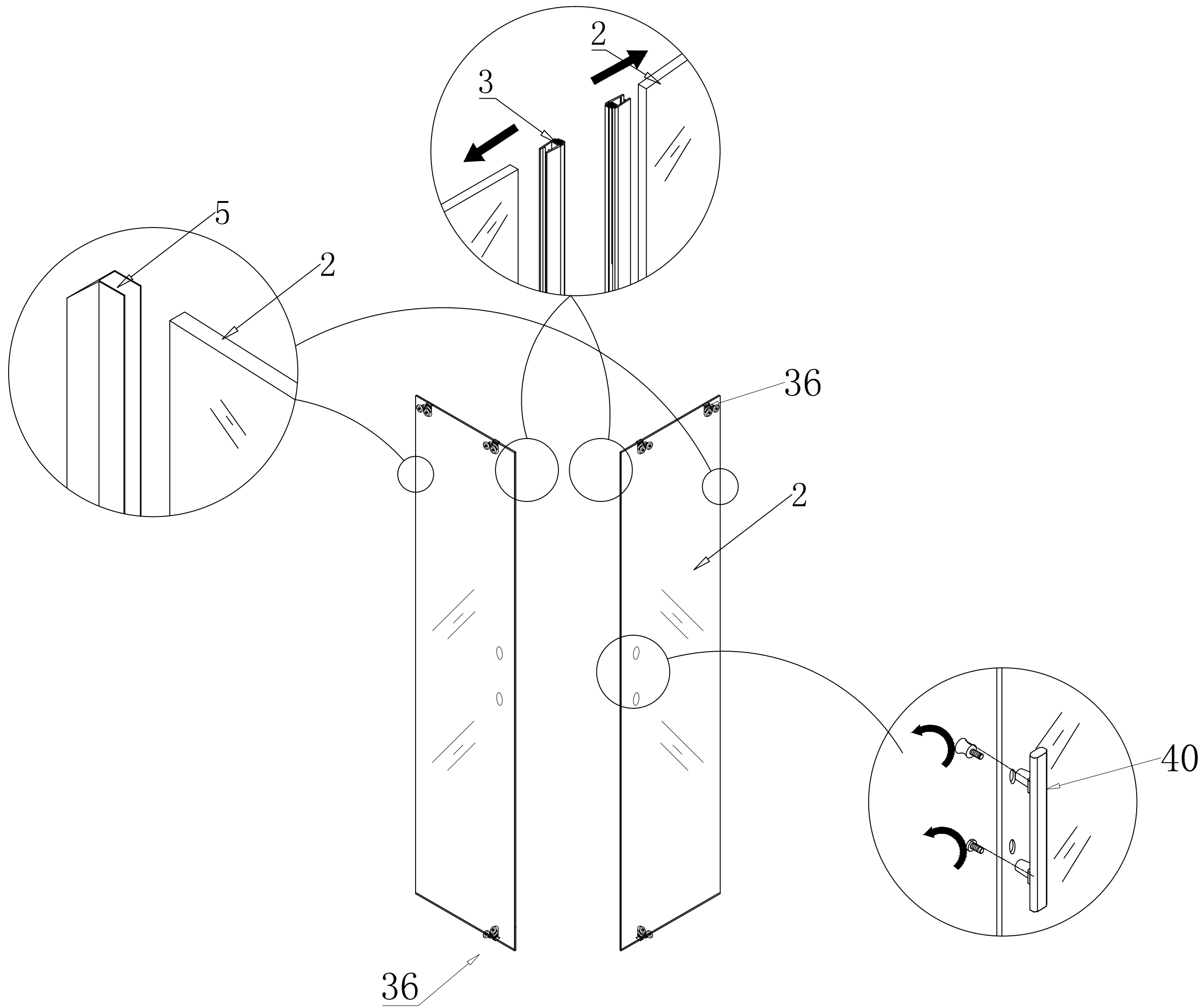
7:



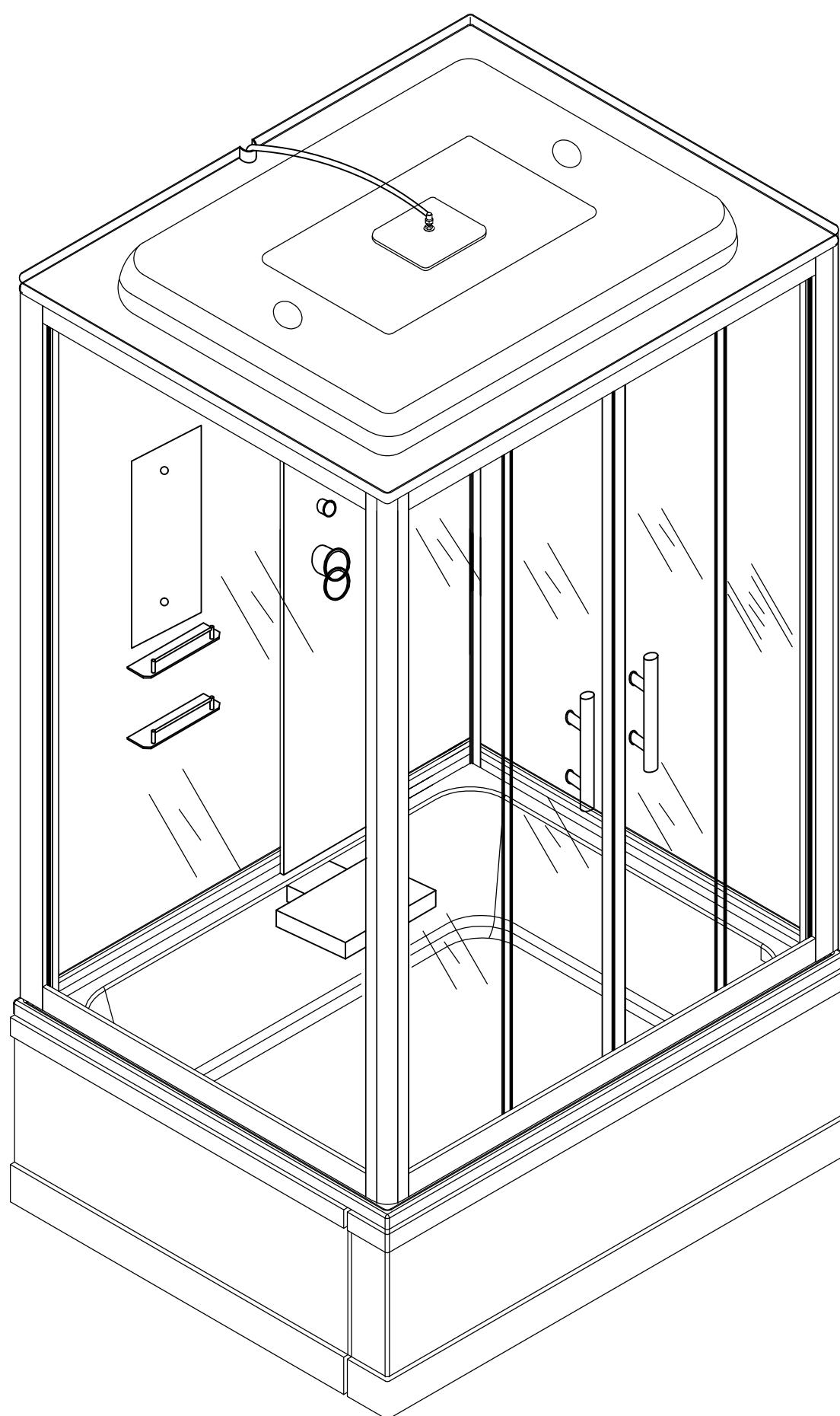
8:



9:



10:



7