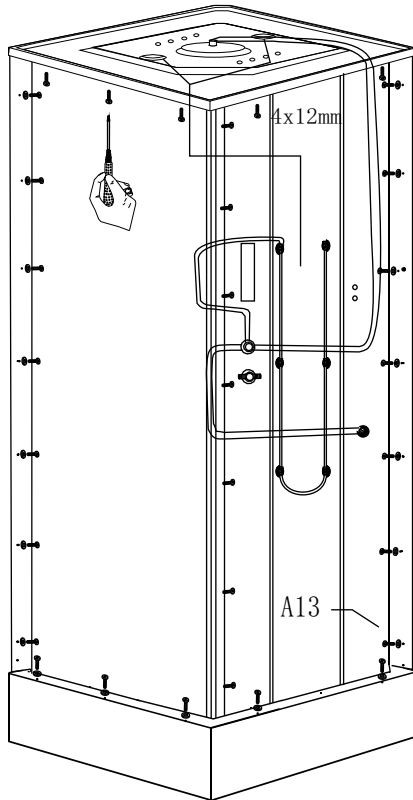
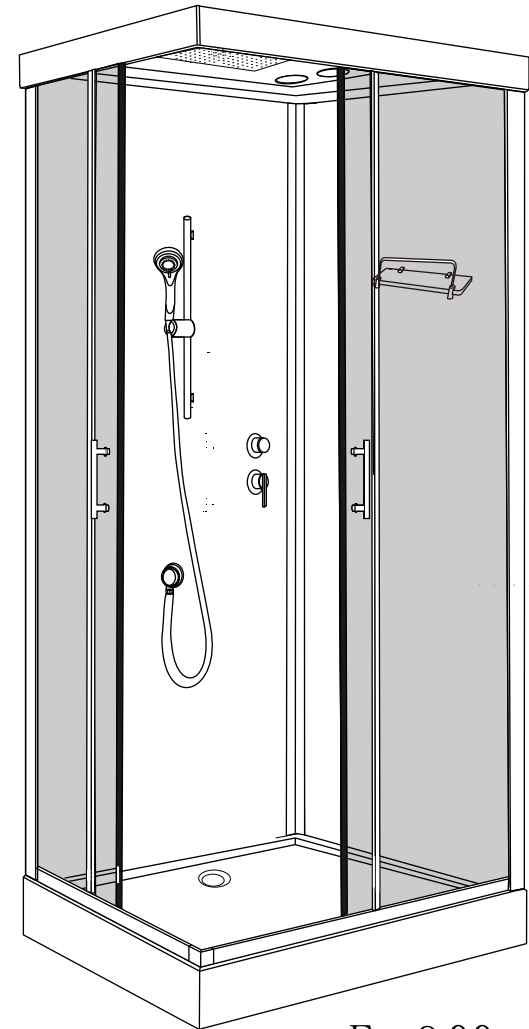


9



10

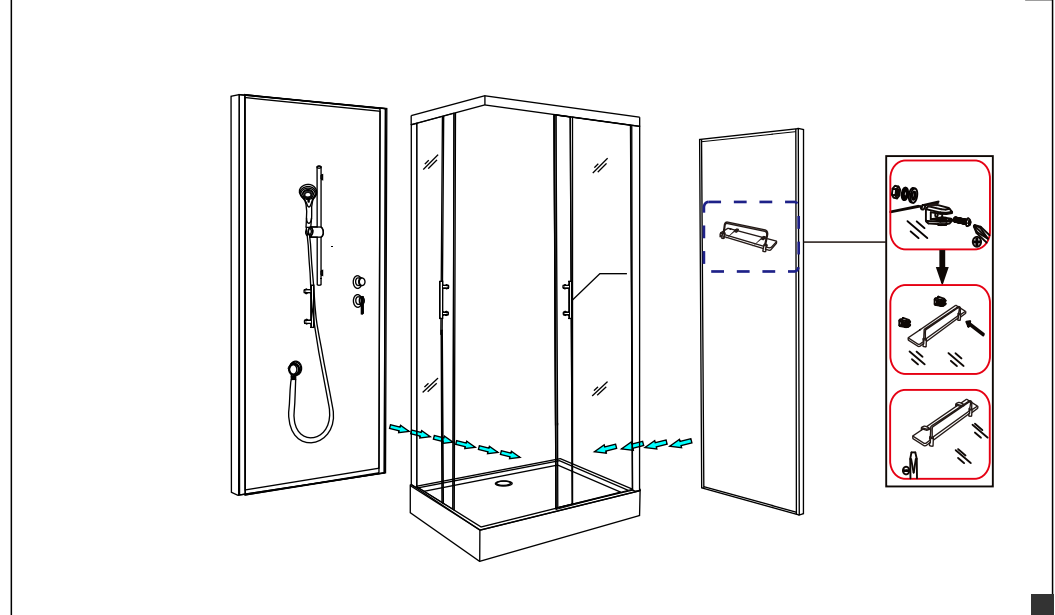
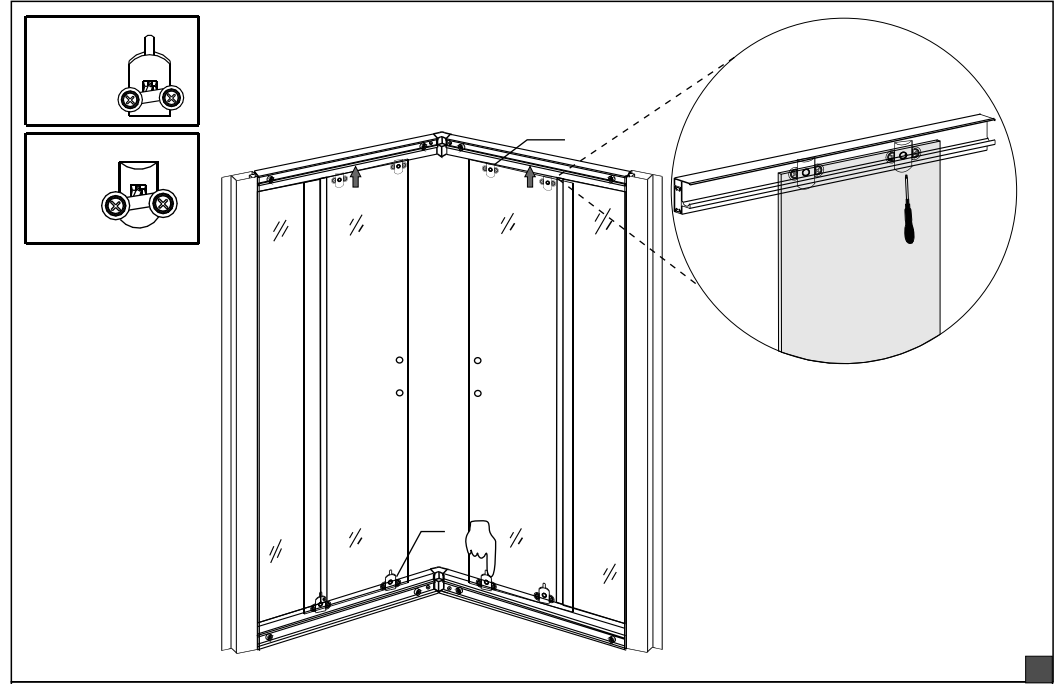
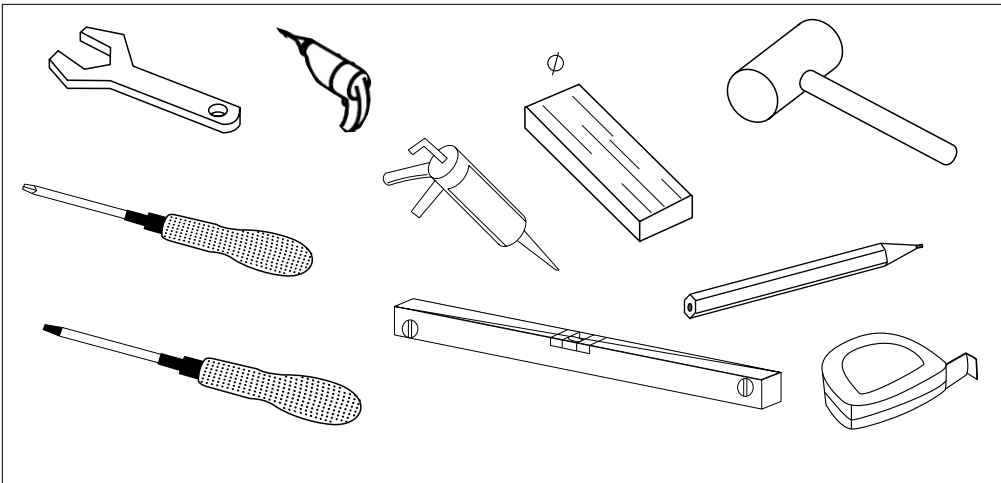
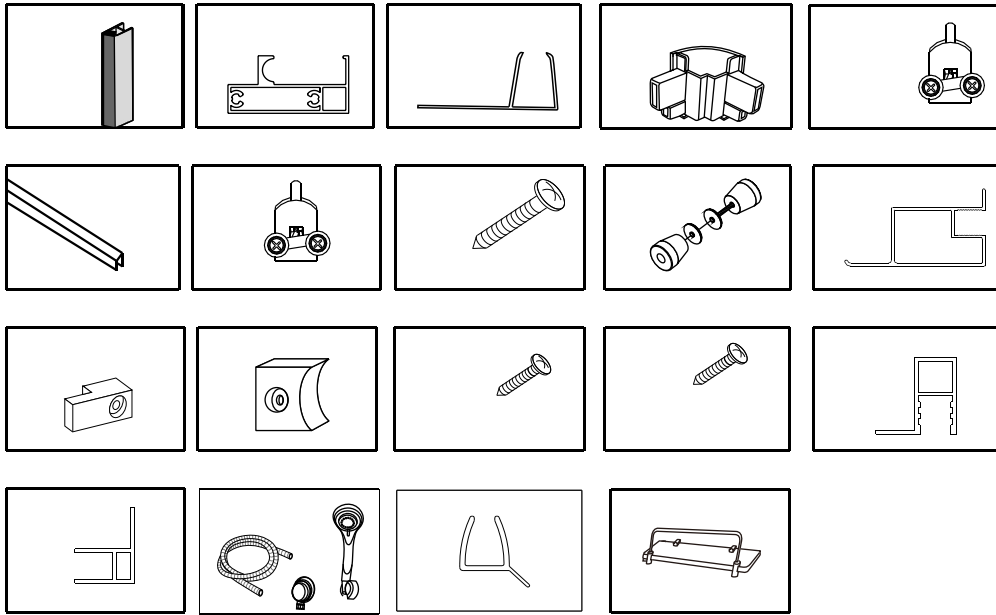
## INSTALLATION MANUAL

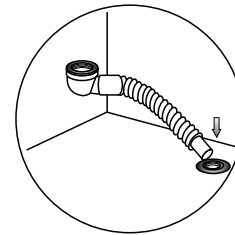
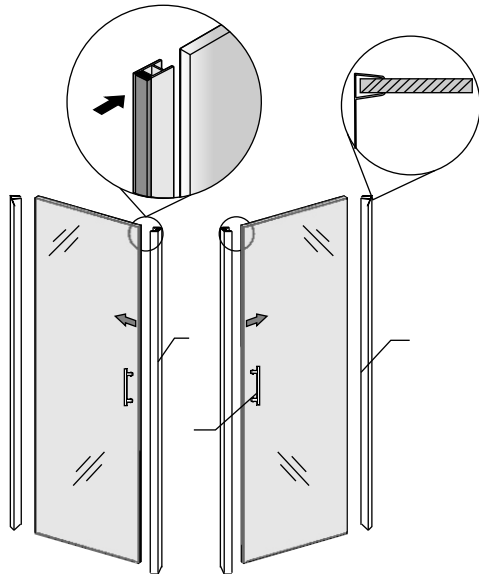
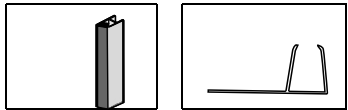
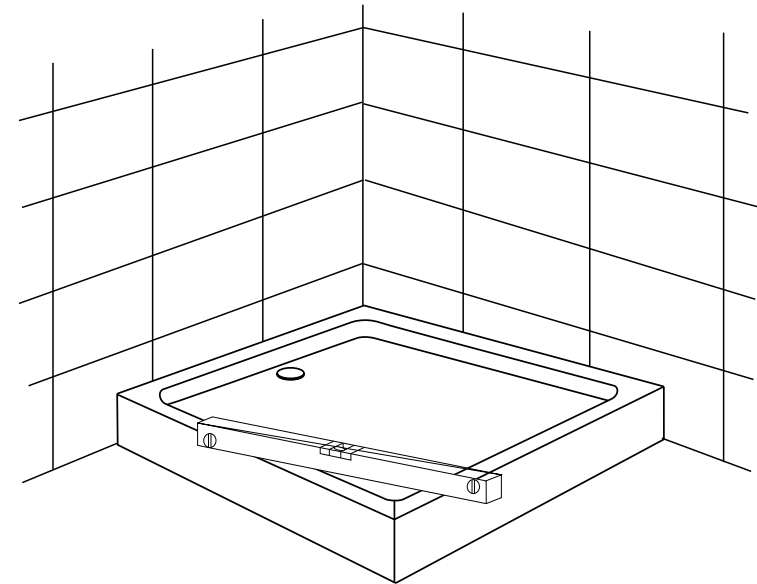
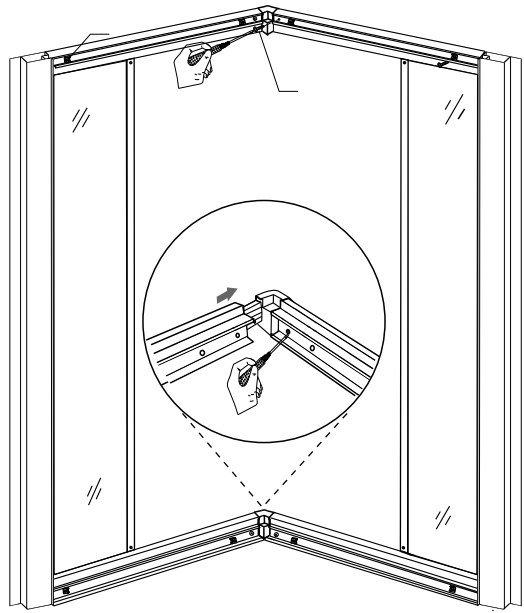


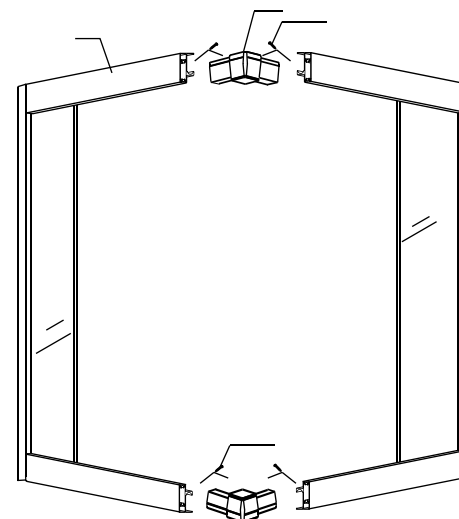
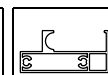
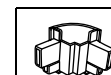
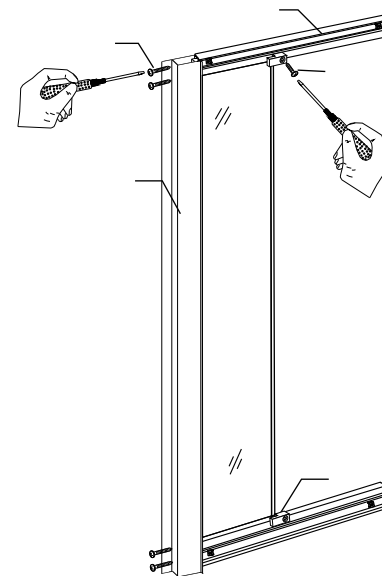
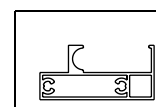
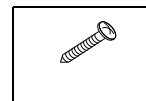
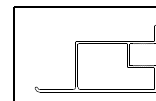
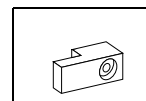
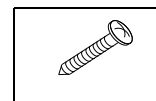
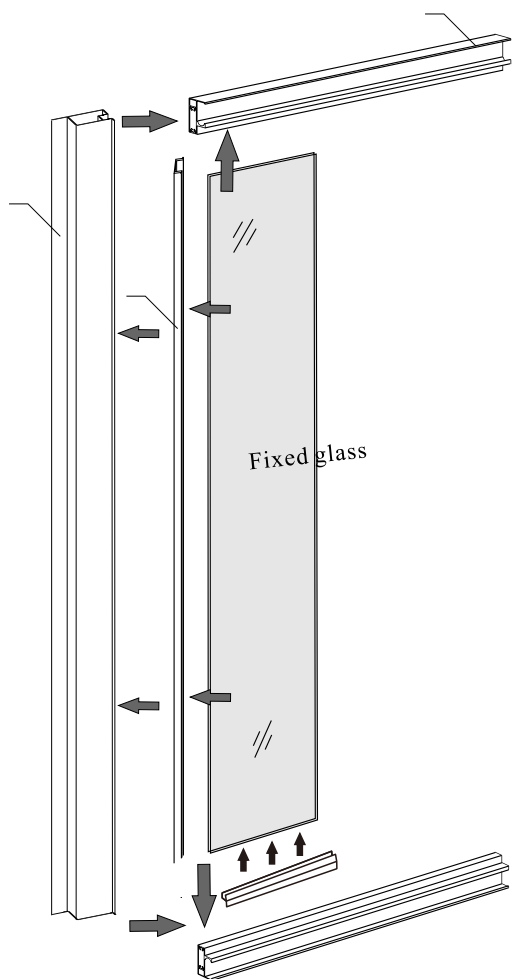
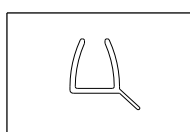
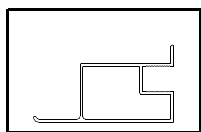
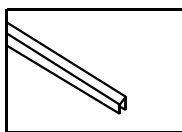
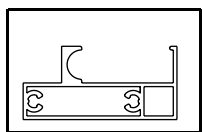
F- 900 F-1000  
F- 900-1

### 1 Installation Notice

- a. Read this installation manual carefully before installation. Check all fittings according to the fitting list. Prepare all parts and tools needed and install the product following the installation procedures.
- b. Handle the glass gently. Ask some body for help if needed. Use rubber hammer to knock if necessary while installing. To protect the glass from being destroyed, do not use something hard to knock the glass, especially knock the corner of the glass.







Достоверную информацию уточняйте на [santehnica.ru](http://santehnica.ru).