

**1**

WE00103/T  
PL00103  
LV00103

+

Not included / Non incluso / Non Inclus / Nie zawarty / No incluido / Nao incluido

**3**

REF. MANUAL WE00103

**5**

**2**

LK00103  
UP94103

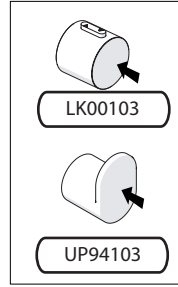
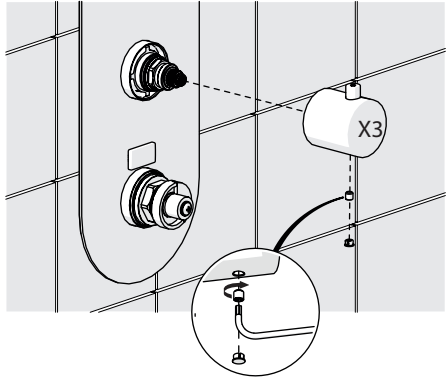
**4**

APERTO  
OPEN

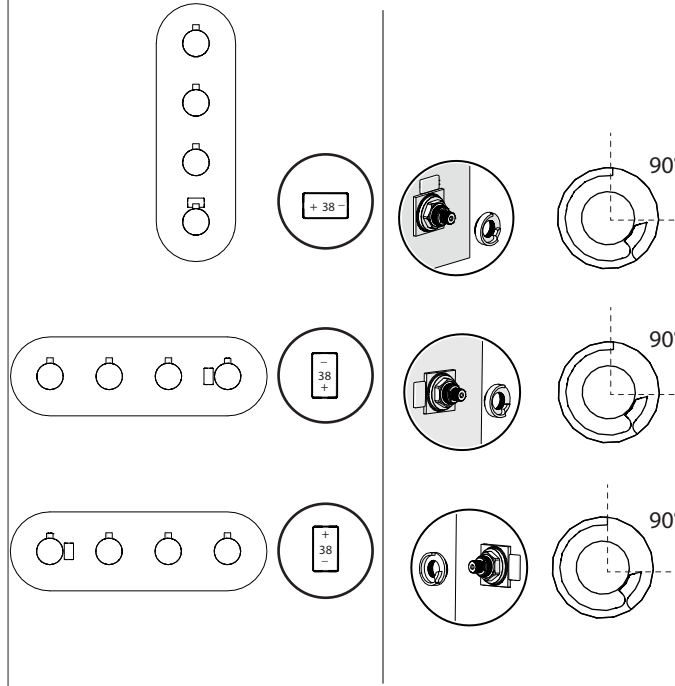
APERTO  
OPEN

**6**

LK00103  
UP94103

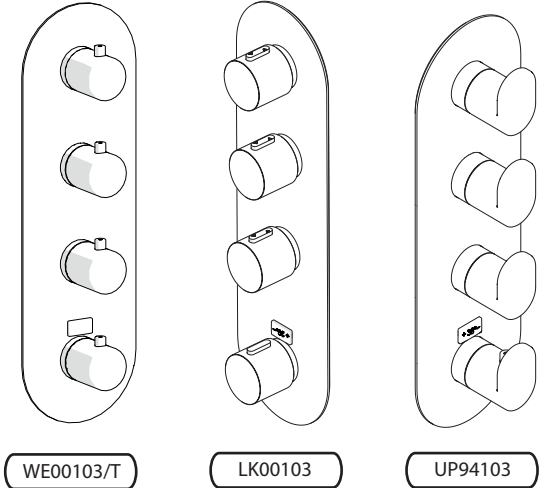


7



9

**NOBILIS®**  
The Best Technology for Water

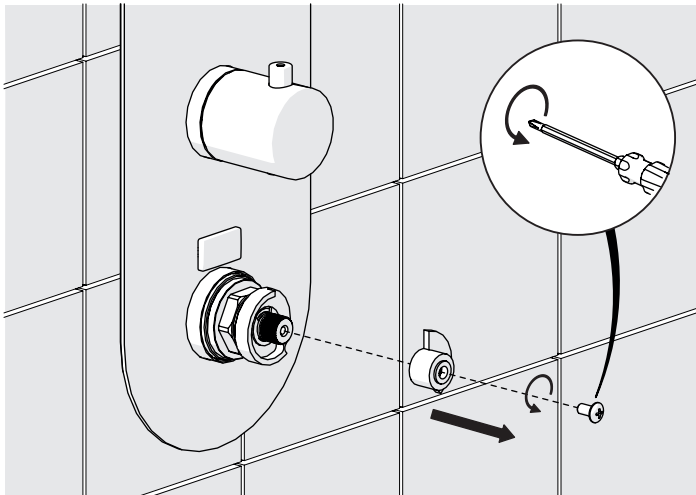


IISTR00103/T#--STD

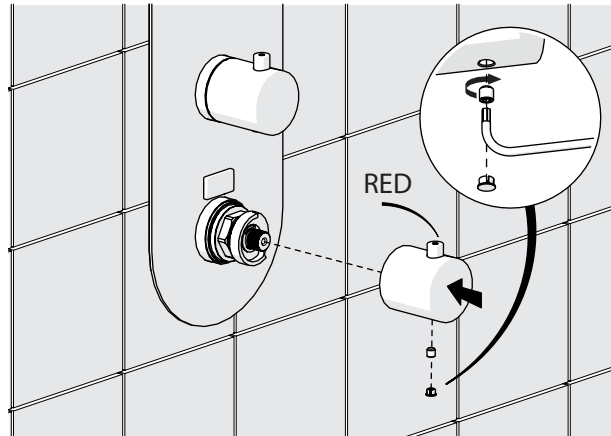


[www.grupponobili.it](http://www.grupponobili.it)

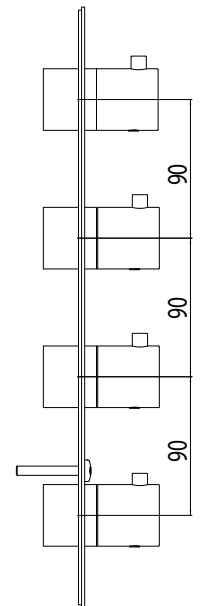
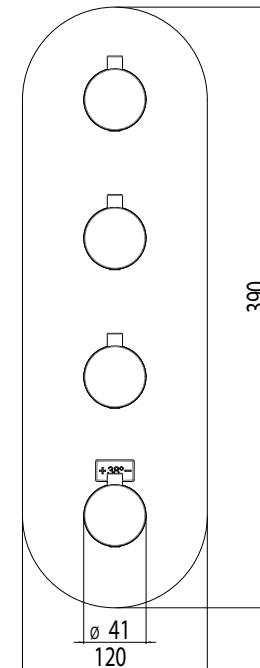
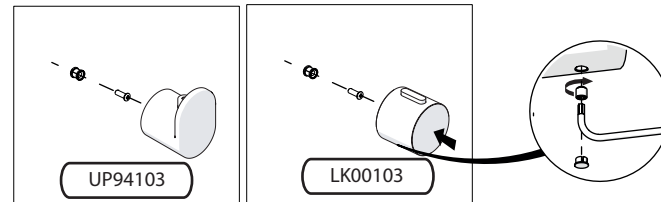
REV02.02/2017



8



10



Достоверную информацию уточняйте на [santehnica.ru](http://santehnica.ru).