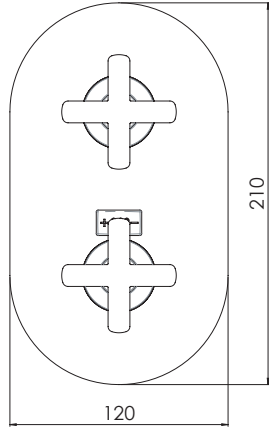
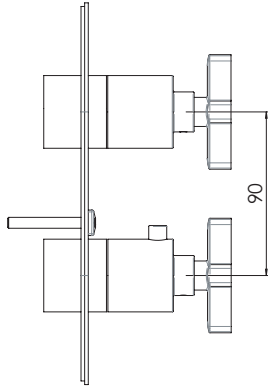




1



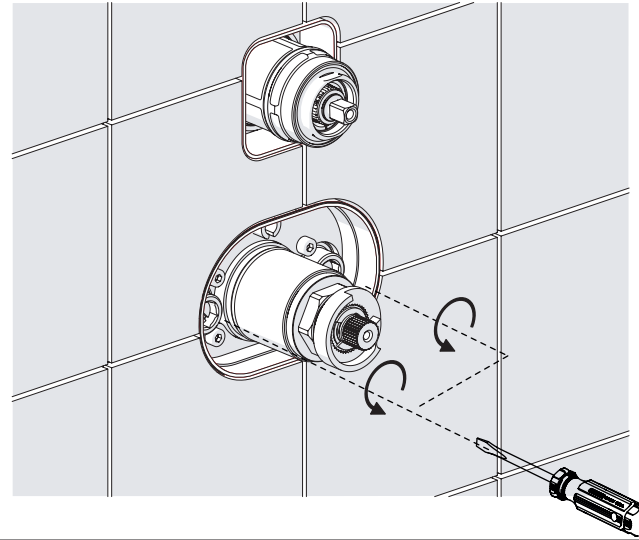
LR116102



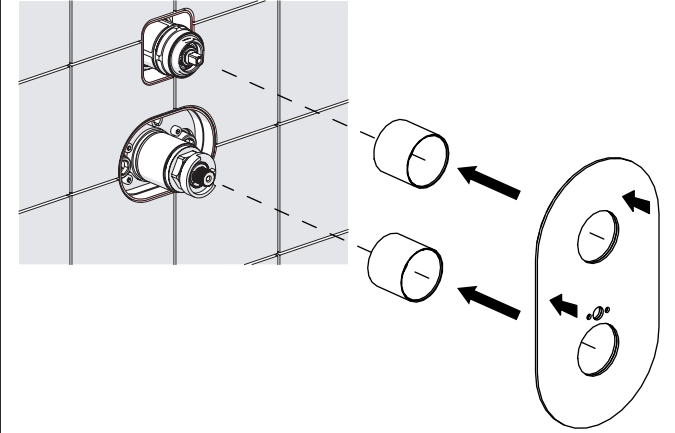
REF. MANUAL  
WE00102



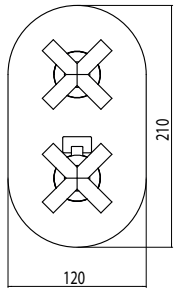
3



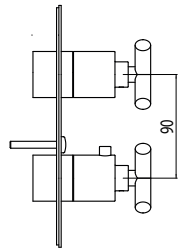
5



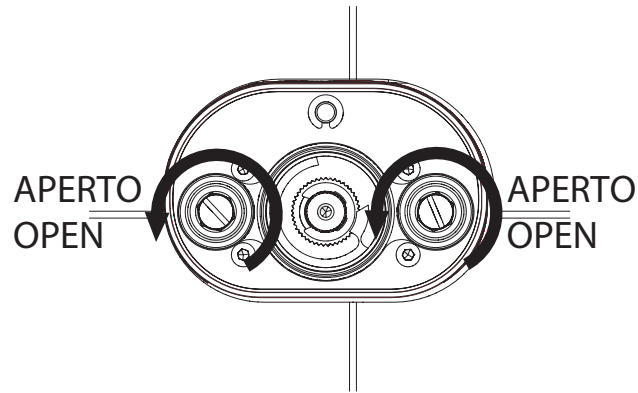
2



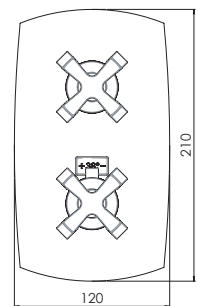
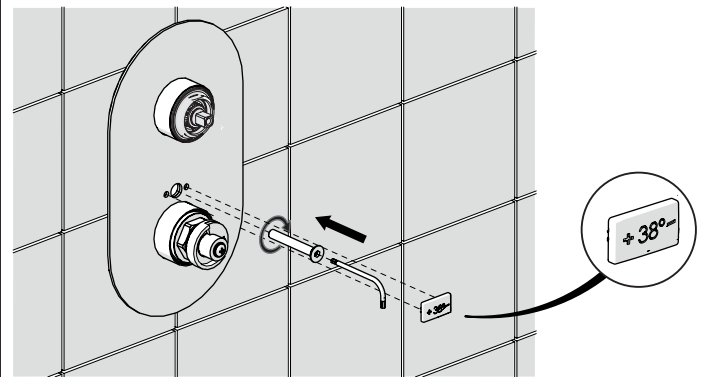
SP57102



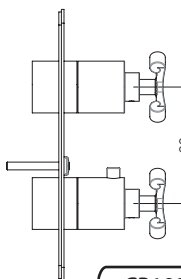
4

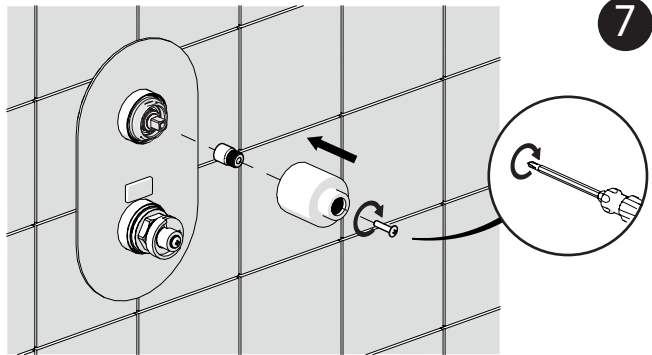


6

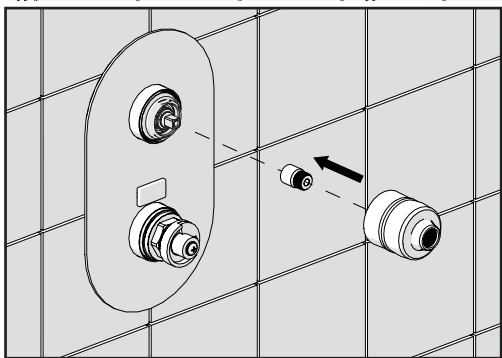


CP102



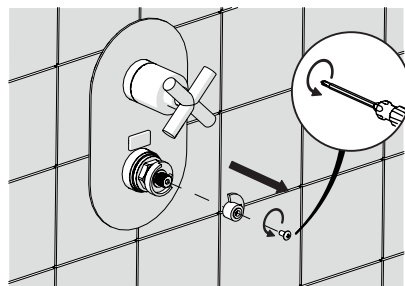


7

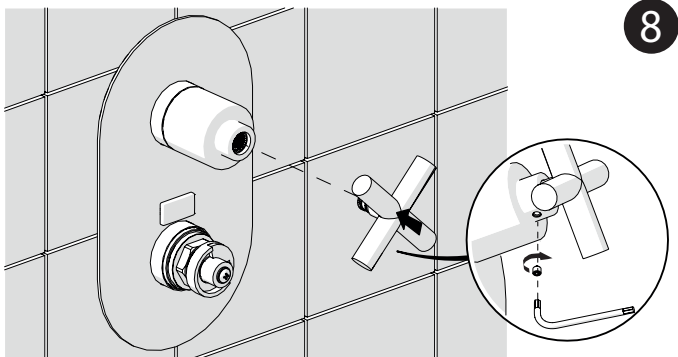
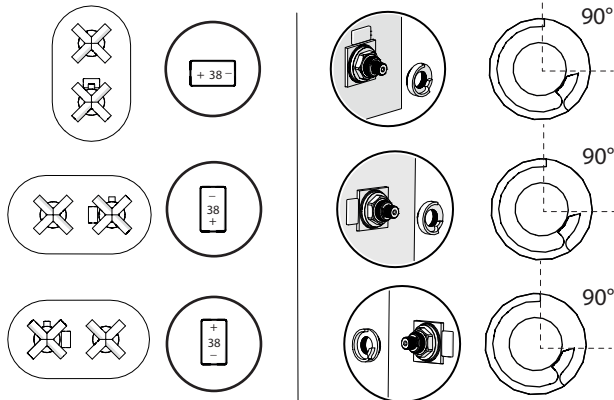


GRC5102

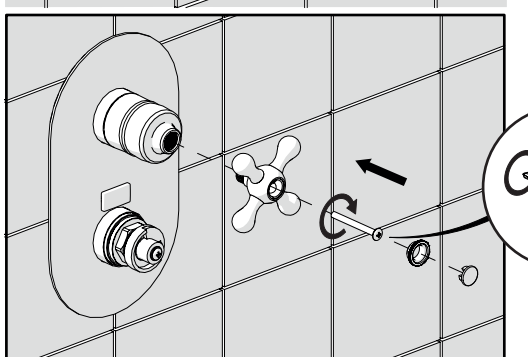
RI49102



9

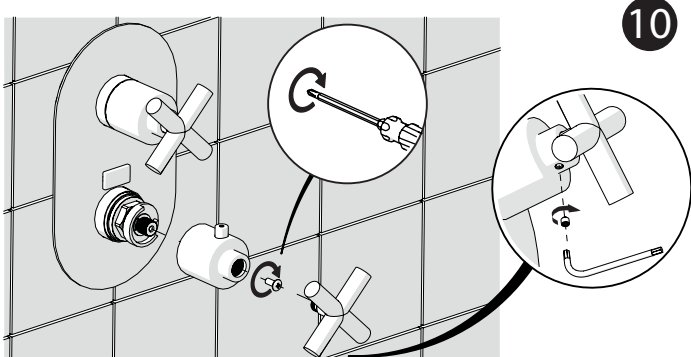


8

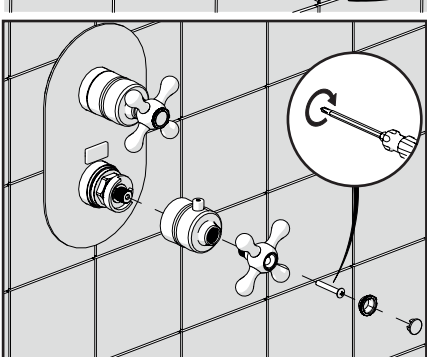


GRC5102

RI49102



10

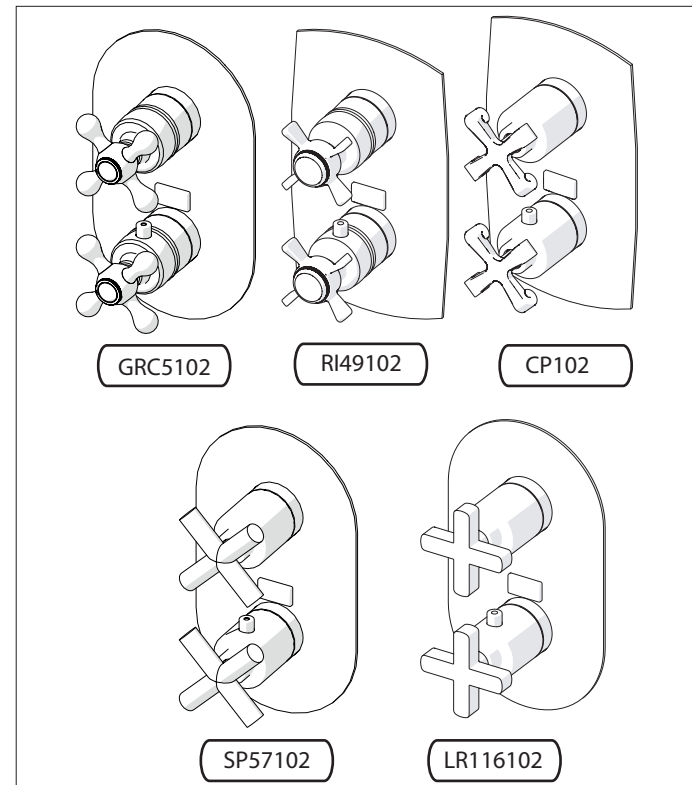


GRC5102

RI49102

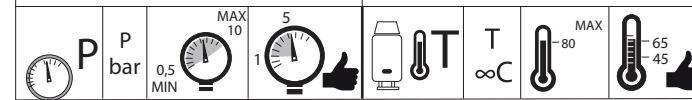
**NOBILIS**

The Best Technology for Water

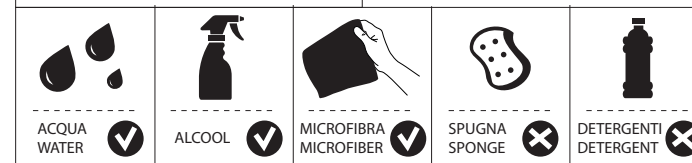


[www.grupponobili.it](http://www.grupponobili.it)

**PRIMA DI INIZIARE / BEFORE STARTING**



**PULIZIA / CLEANING**



IISTR00102/C#---STD



REV3.02/2018

Достоверную информацию уточняйте на [santehnica.ru](http://santehnica.ru).