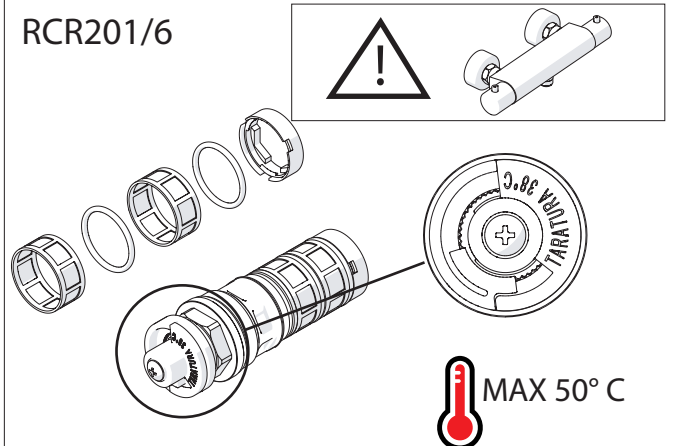


RCR201/5

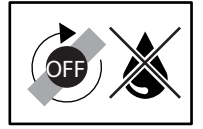
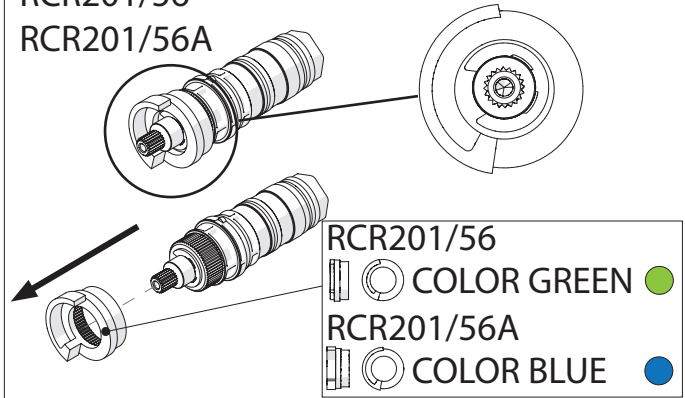


1

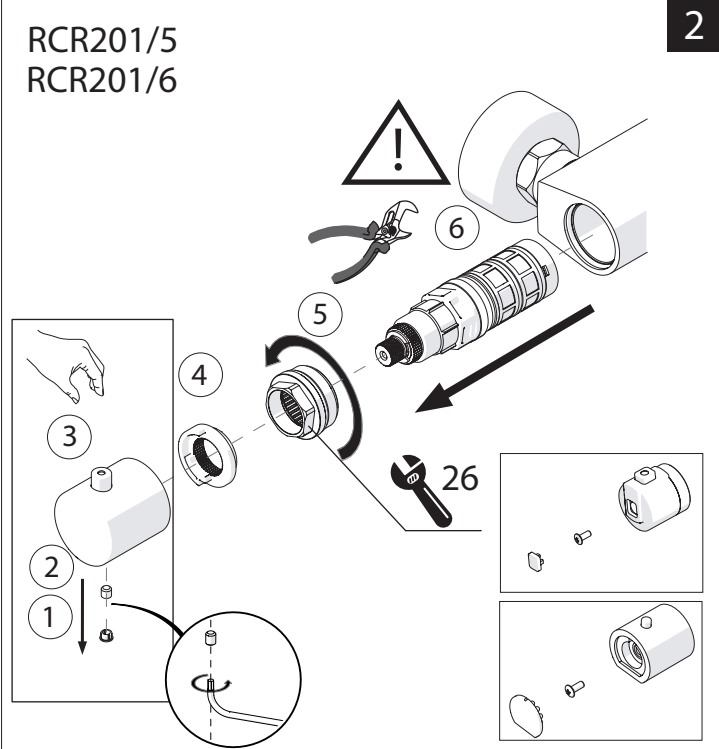
RCR201/6



RCR201/56
RCR201/56A

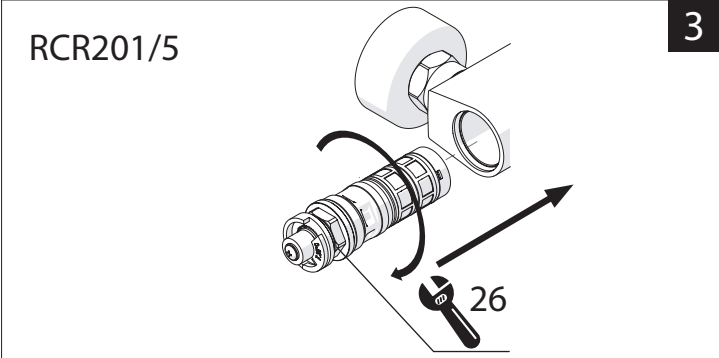


RCR201/5
RCR201/6



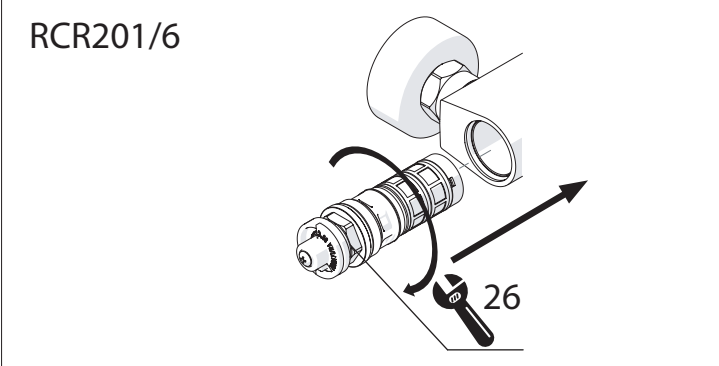
2

RCR201/5

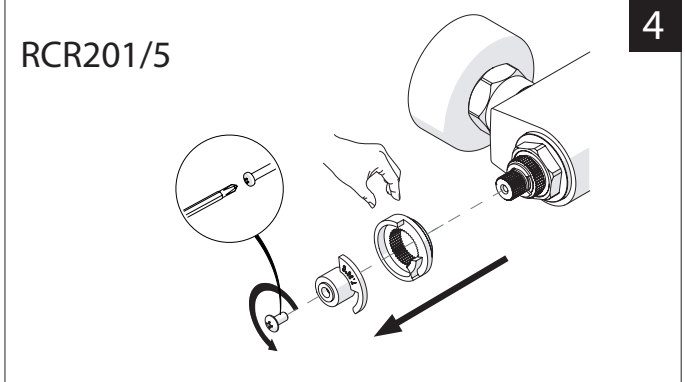


3

RCR201/6

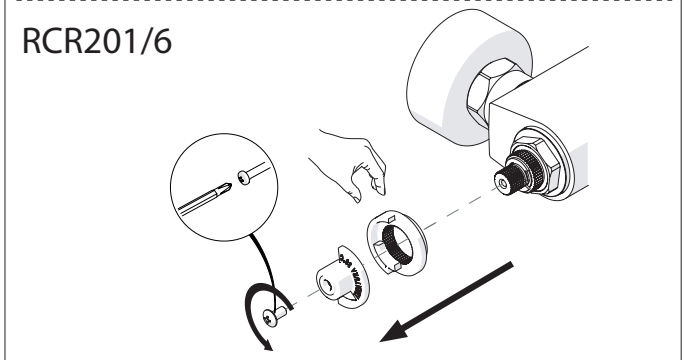


RCR201/5

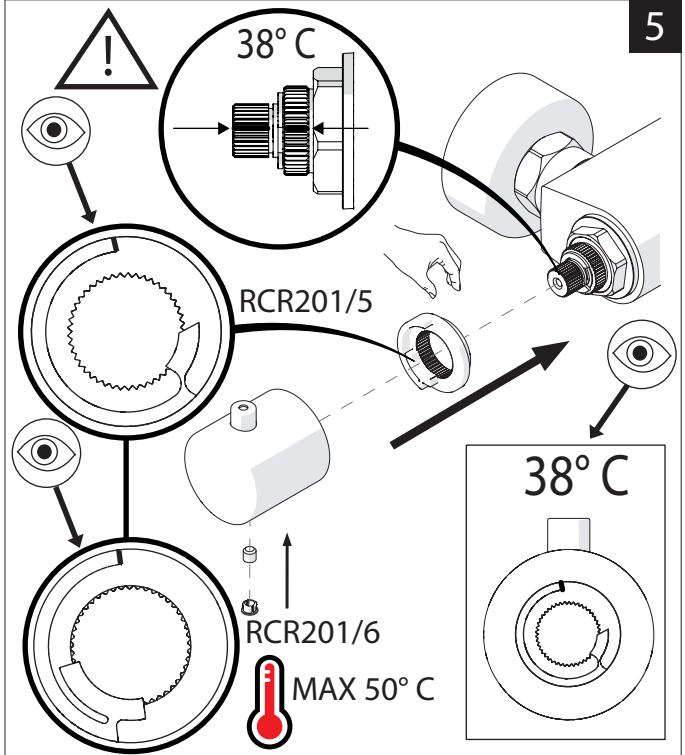


4

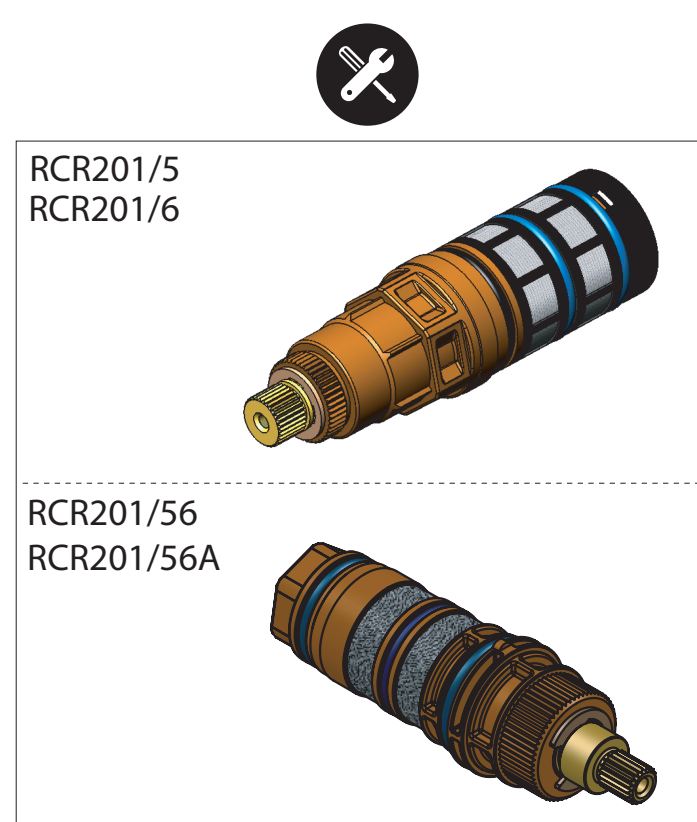
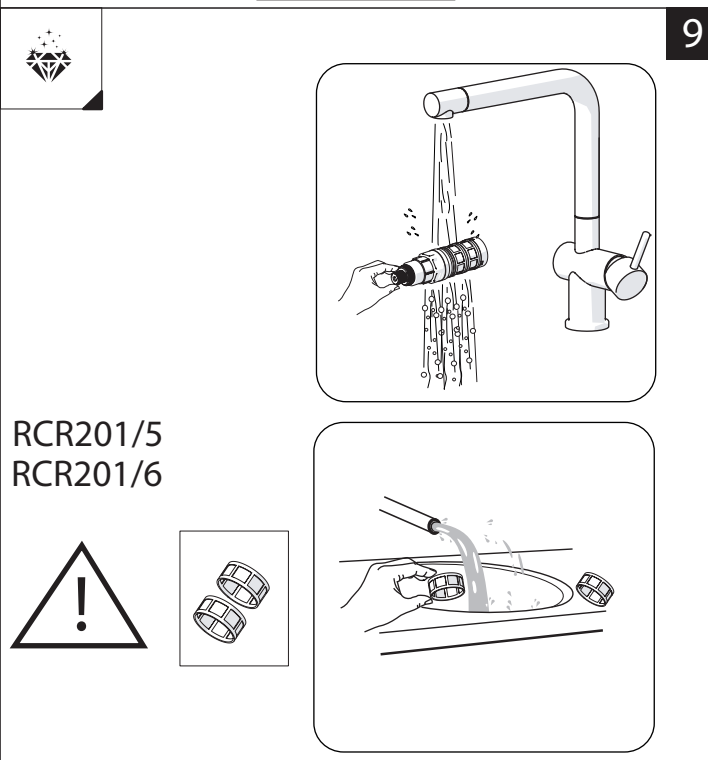
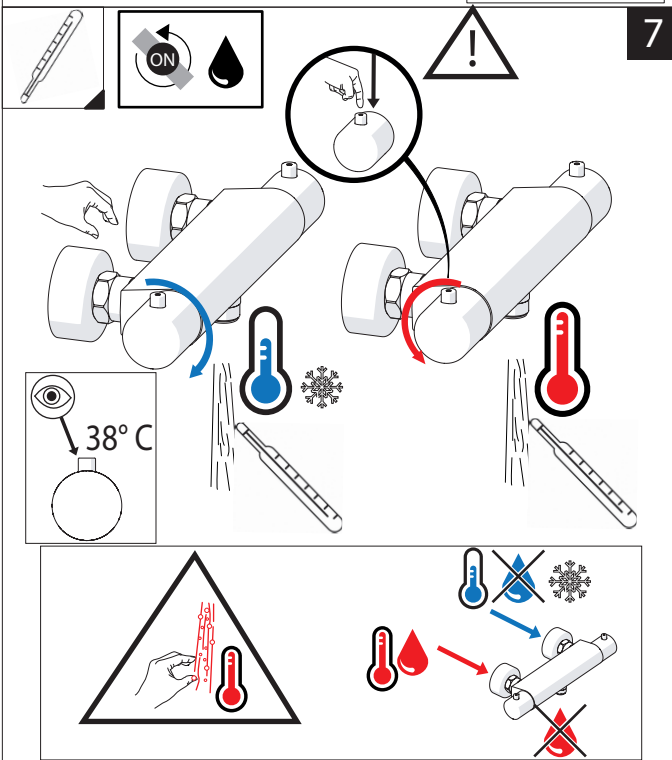
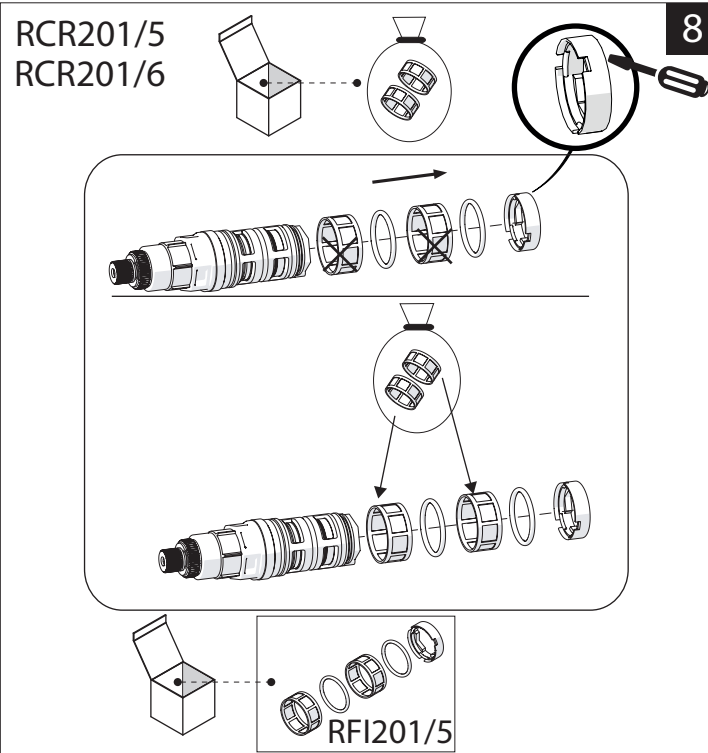
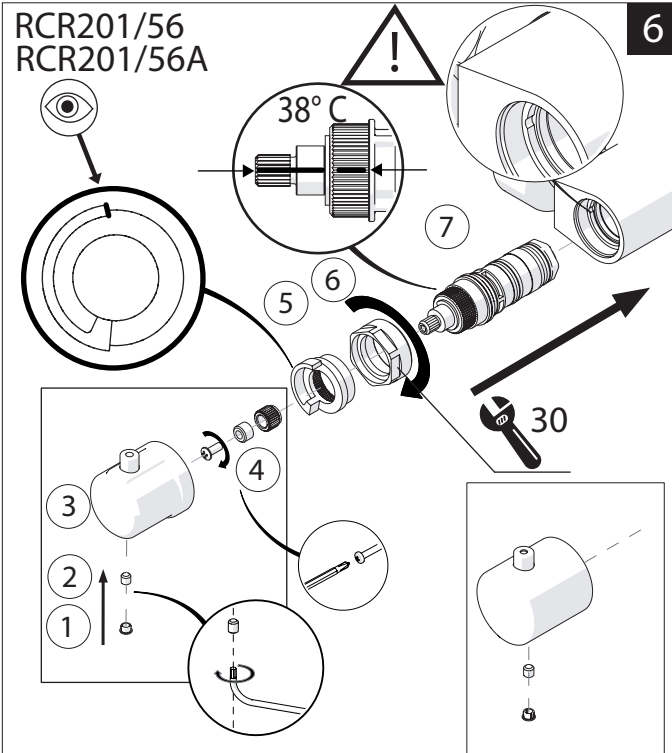
RCR201/6



38° C



5



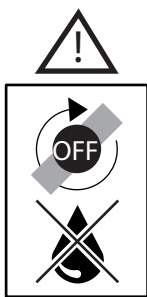
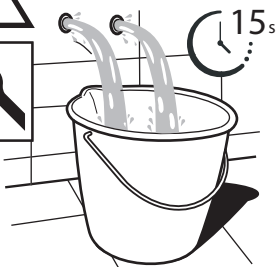
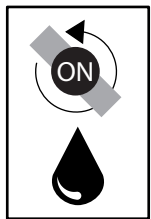
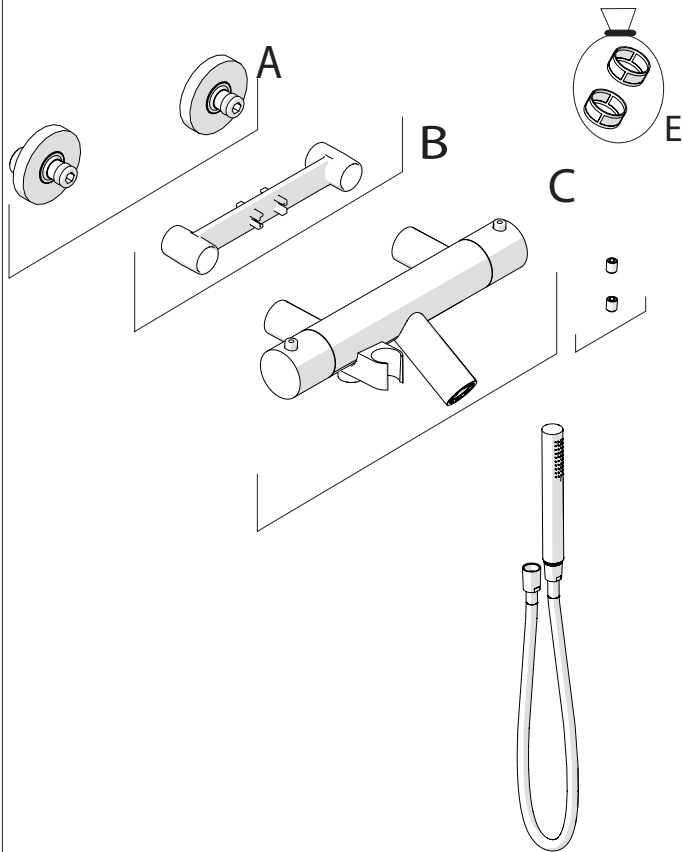
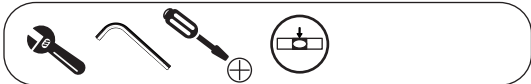
38

	P bar	MAX 10 0,5 MIN	5 1	
	T °C	MAX 80	65 45	

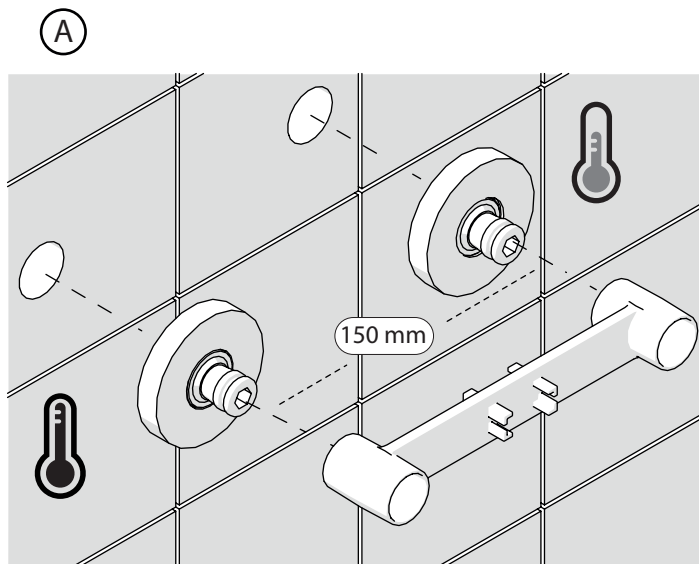
IISTR00201/5#--NEU REV2.12/2019

Not included / Non incluso / Non Inclus / Nie zawarty / No incluido / Nao incluido

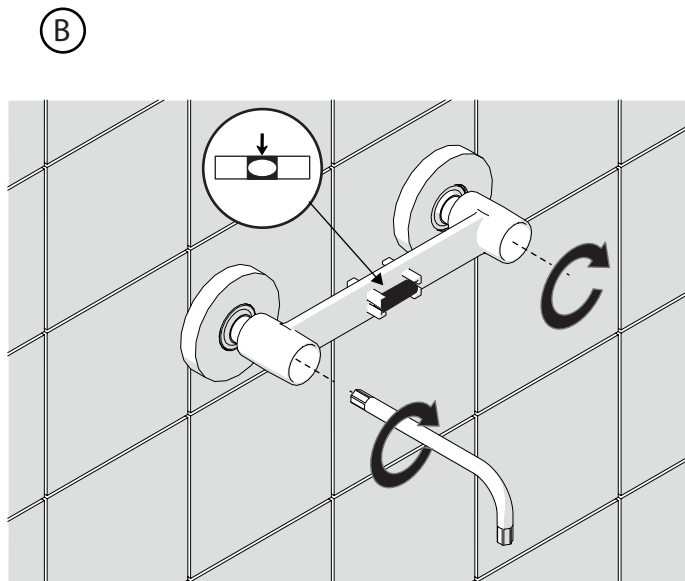
1



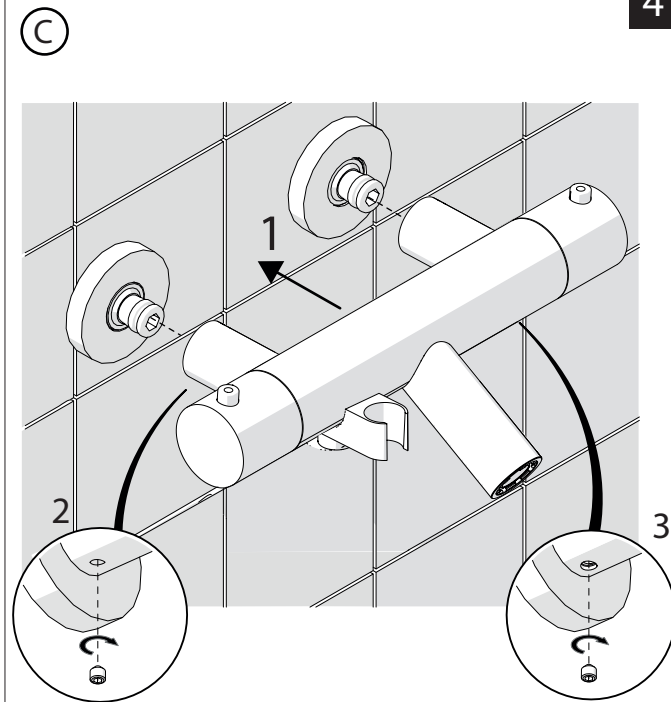
2



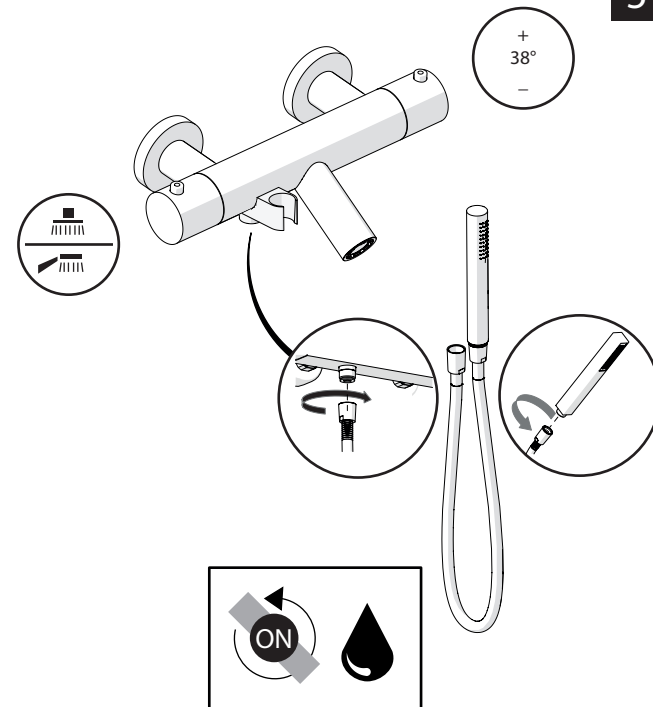
3



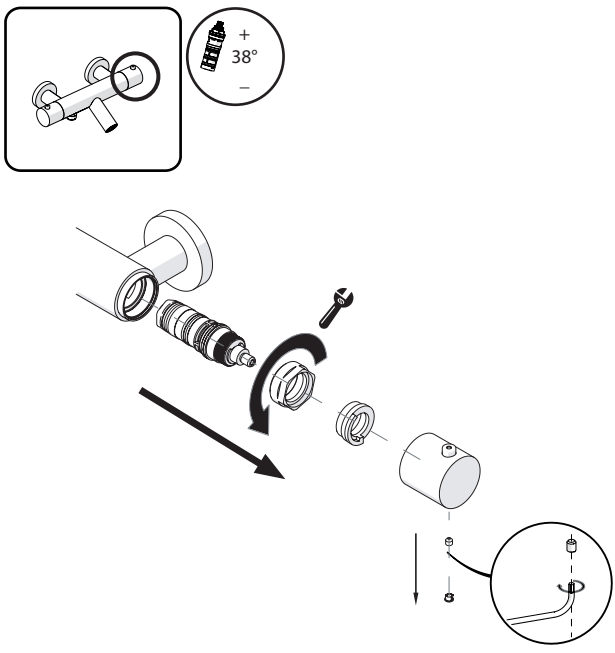
4



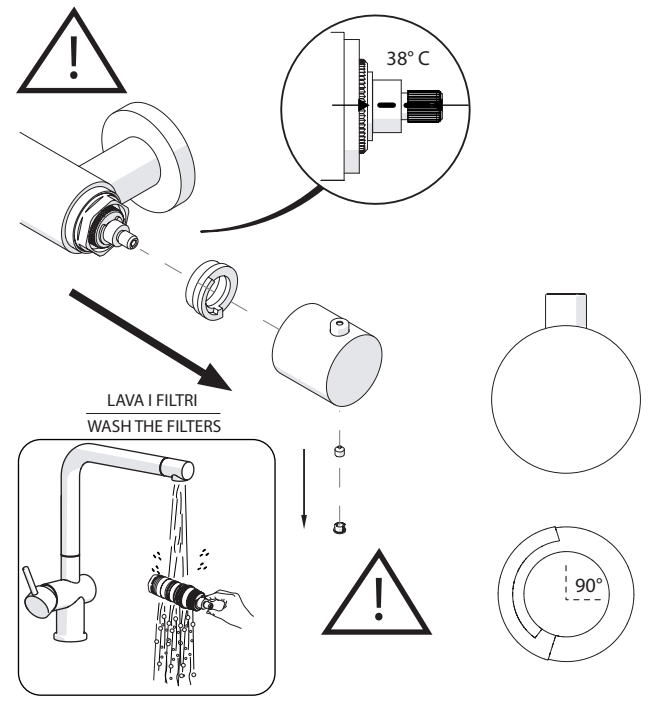
5



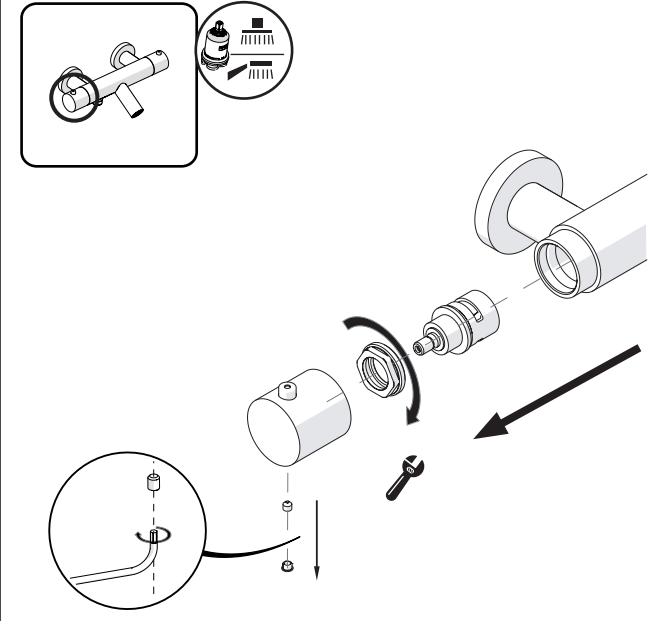
6



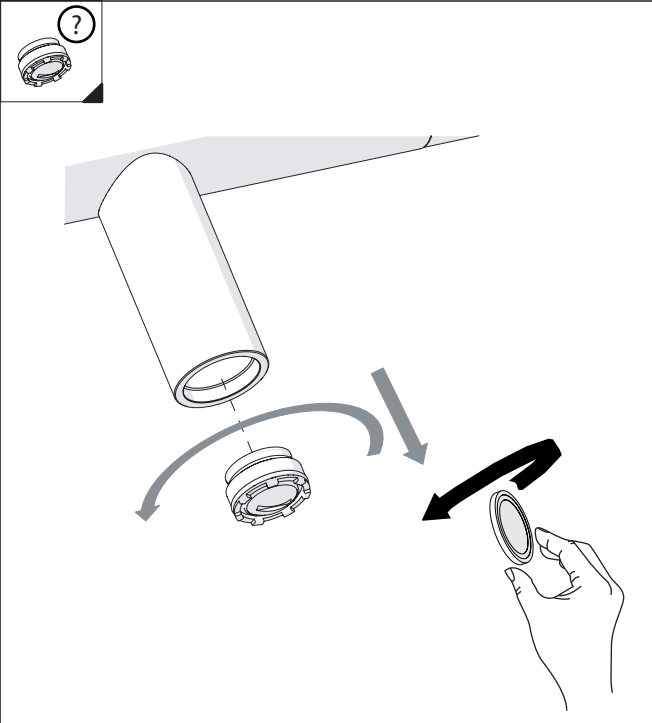
7



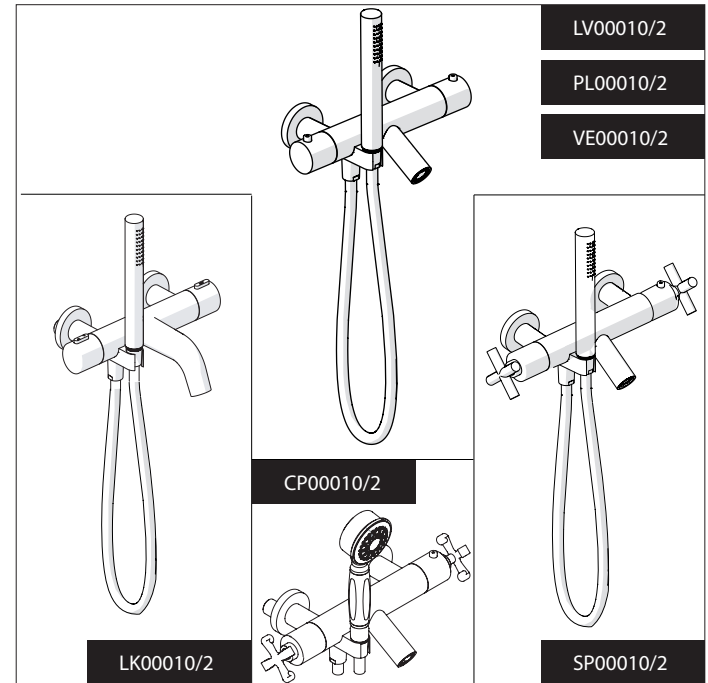
8



9



NOBILI



www.nobili.it

PRIMA DI INIZIARE / BEFORE STARTING

P	bar	MAX 10	5		T	T °C	MAX 80	65 45
0,5 MIN		1						

PULIZIA / CLEANING

ACQUA WATER <input checked="" type="checkbox"/>	NO VERNICIATO NO PAINTED <input checked="" type="checkbox"/>	MICROFIBRA MICROFIBER <input checked="" type="checkbox"/>	SPUGNA SPONGE <input checked="" type="checkbox"/>	DETERGENTI DETERGENT <input checked="" type="checkbox"/>
PER VERNICIATO - PVD FOR PAINTED ACQUA E SAPONE WATER AND SOAP <input checked="" type="checkbox"/>	ASCIUGARE BENE SEMPRE ALWAYS DRY WELL <input checked="" type="checkbox"/>			

IISTRV00010/2#--STD



REV4.07/2020

Достоверную информацию уточняйте на santehnica.ru.