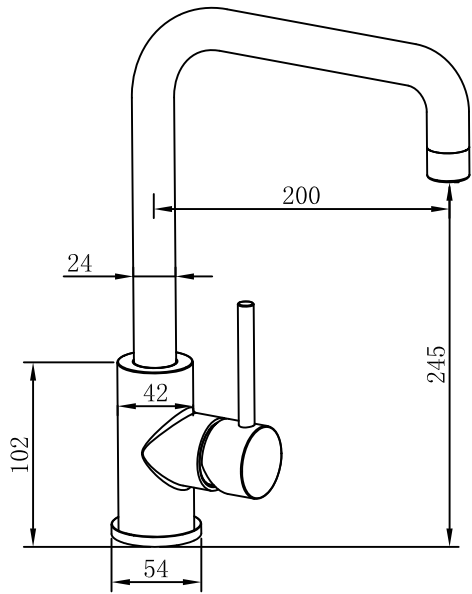
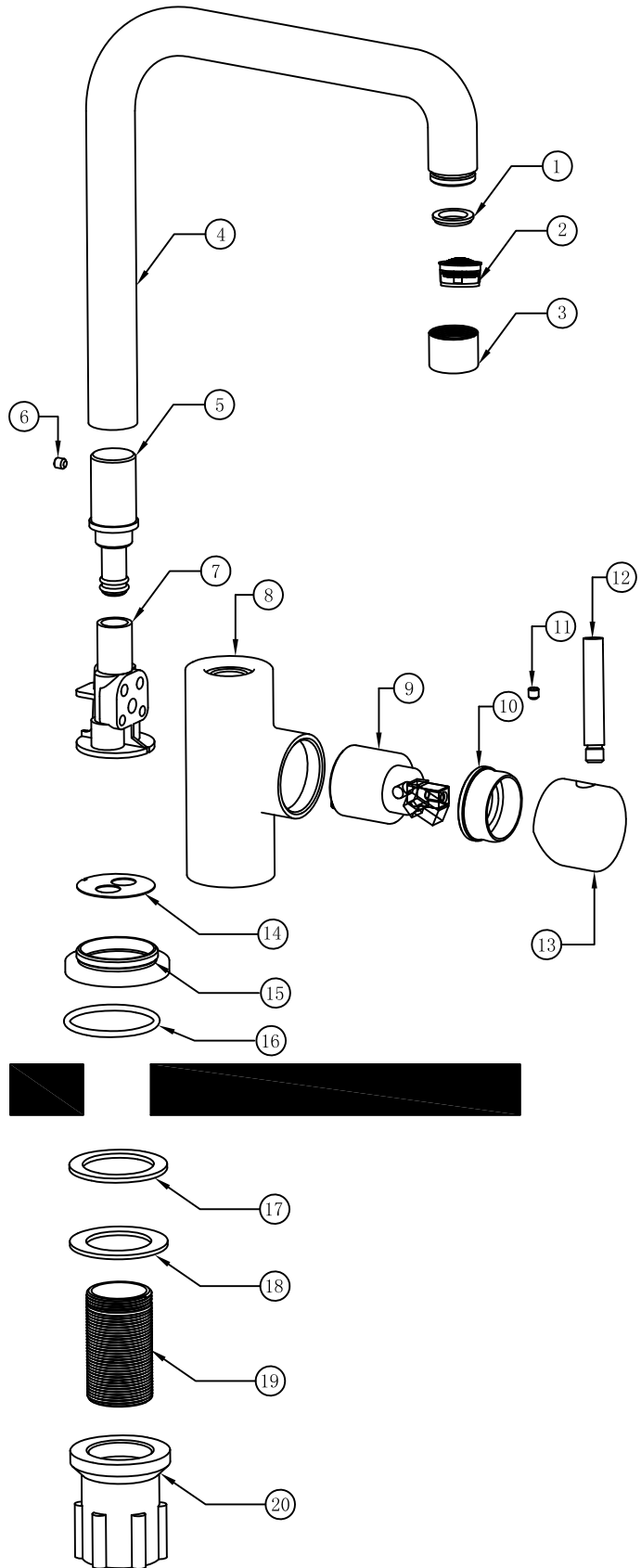


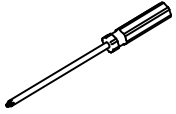
Installation Guide



NO	Description	Material
1	Washer	NBR
2	Aerator	ABS
3	Aerator-Shell	304 Steel
4	Spout	304 Steel
5	Tube Connector	PPA
6	M5 Screw	304 Steel
7	Cartridge Base	PPA
8	Main Body	304 Steel
9	Cartridge	Ceramic
10	Gland Nut	304 Steel
11	M5 Screw	304 Steel
12	Handle Lever	304 Steel
13	Handle Base	304 Steel
14	Docrated Gasket	304 Steel
15	Base	304 Steel
16	O-Ring	NBR
17	Washer	NBR
18	Washer	PP
19	Nipple	304 Steel
20	Fix Nut	ABS



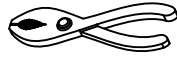
Installation Guide



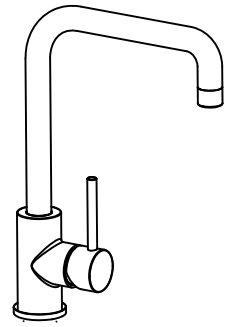
Screwdriver



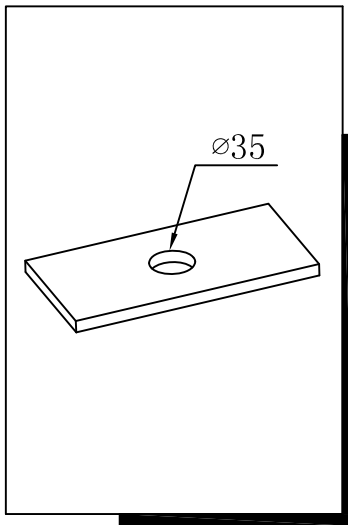
Wrench



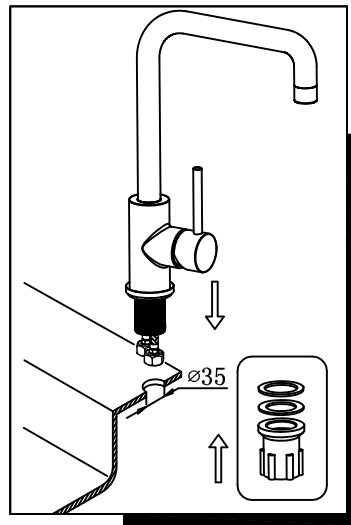
Pliers



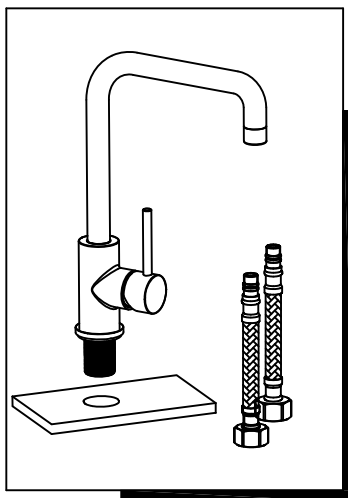
Installation Steps:



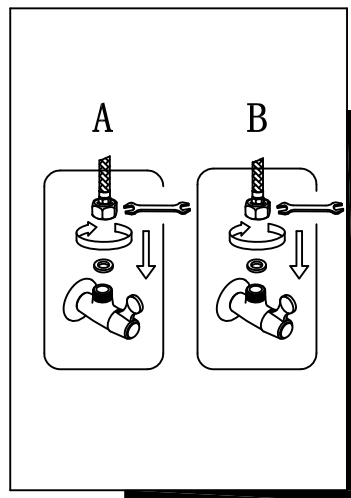
1, Drill the $\varnothing 35$ mm hole on the surface.



3, Install mixer through center hole and base, assembly washer and metal washer onto mixer and tight with lock nut.



2, Tighten the threaded tube and water inlet hoses into mixer



4, Attach two flexible hose to water supply.