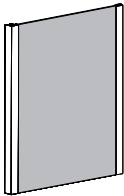




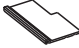

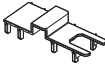


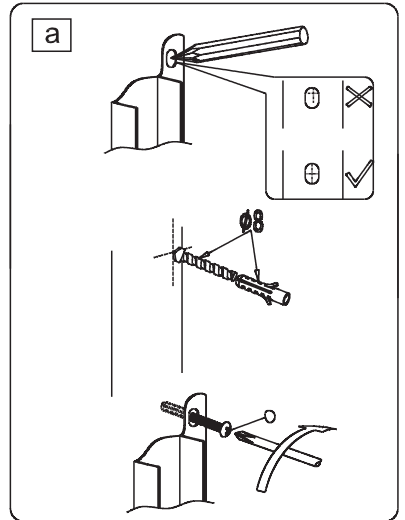
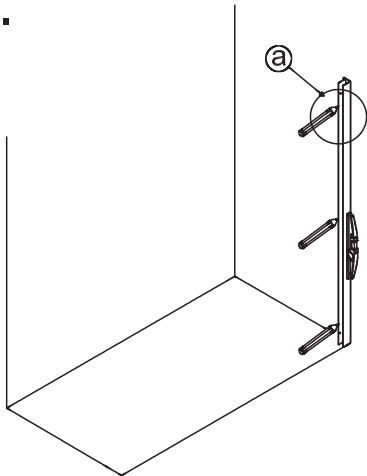


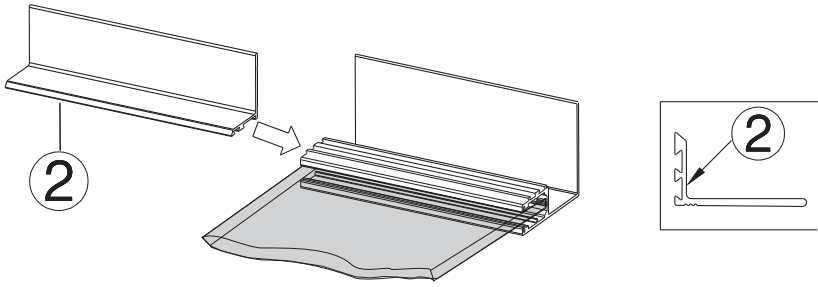
NO.	Designation	Pieces
1		x1
2		x1
3	  ST4X10	x5
4		x5

5.1		x1
5.2		x1
6		x1
	 $\phi 8$	
	 $\phi 3.2$	

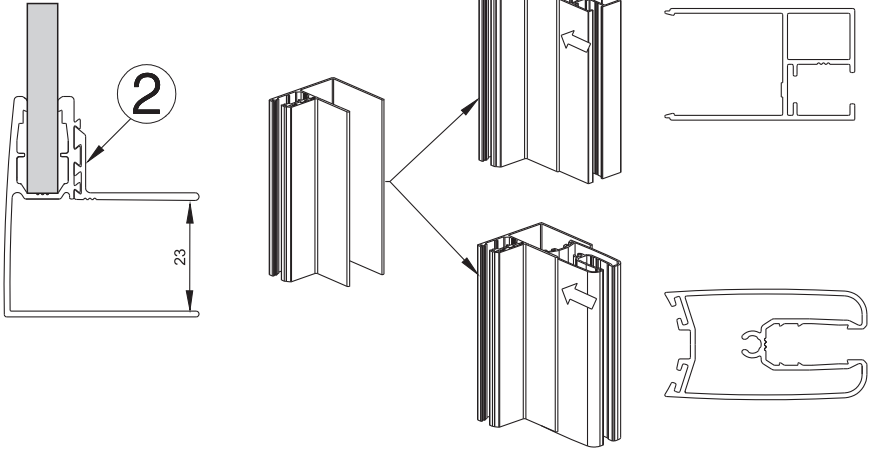
1.



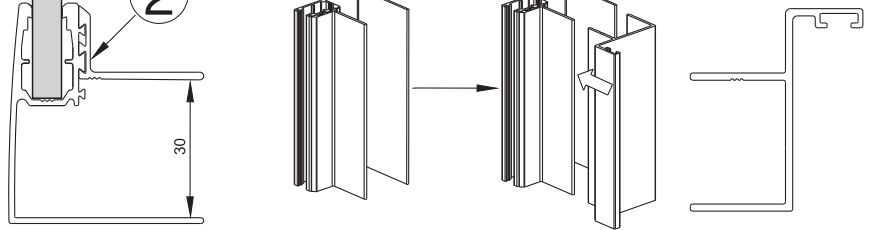
2.



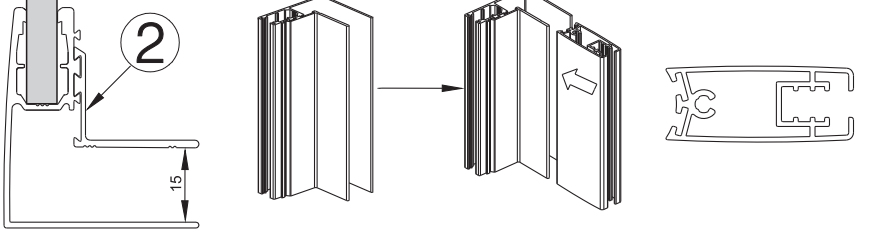
2.1



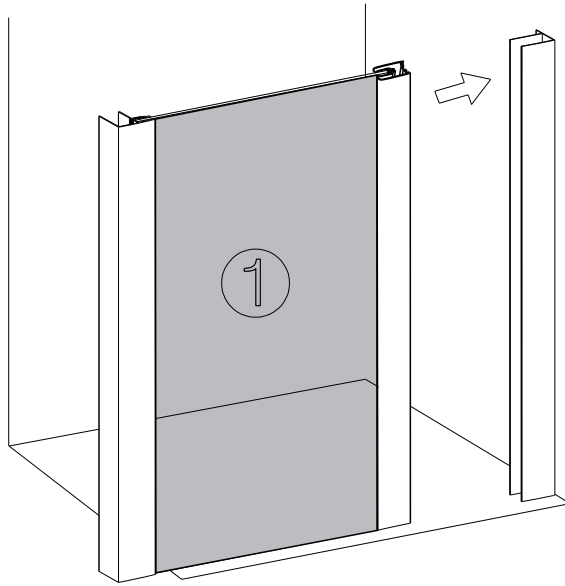
2.2



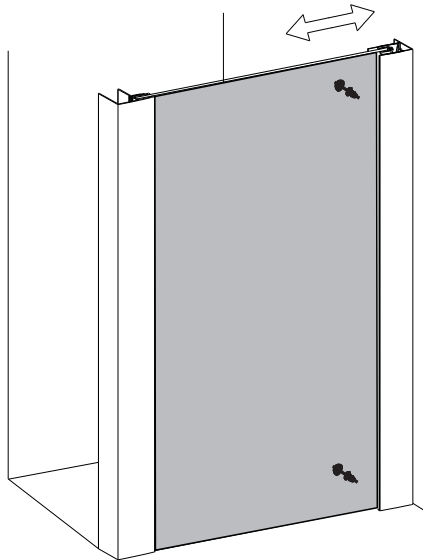
2.3



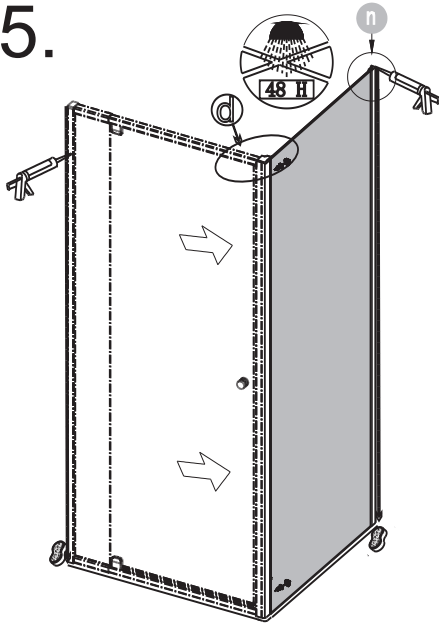
3.



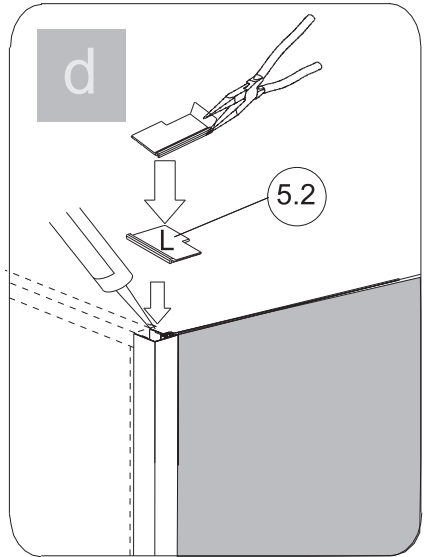
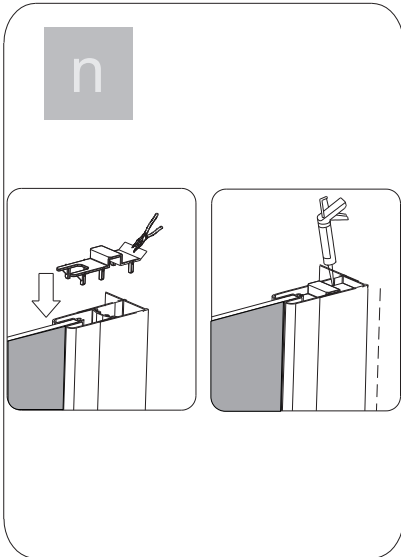
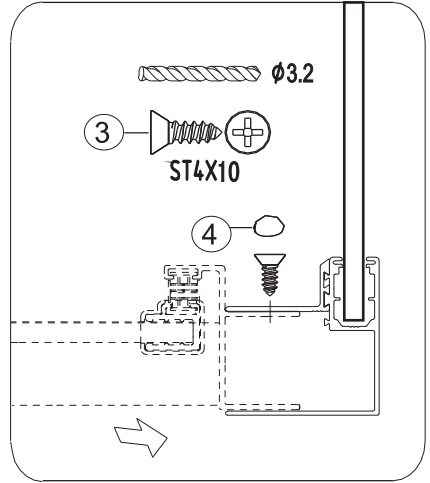
4.



5.

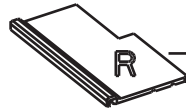


d



6.

5.2



5.1

