

AXOR ShowerSolutions

Overhead shower 300 2jet with shower arm

Finish: **Matt Black** Article Number: **35303670**



product features

- consists of: overhead shower, shower arm
- shower head size: 300 mm
- spray type: PowderRain, Intense PowderRain
- dynamic spray nozzles move out while using
- material spray disc: metal
- shower arm length 450 mm
- maximum flow rate at 3 bar: 19 l/min
- flow rate PowderRain spray (at 3 bar): 19 l/min
- flow rate Intense PowderRain (at 3 bar): 16 l/min
- minimum flow pressure: 2 bar
- overhead shower removable for cleaning
- ServiceCard with sieve can be removed without tools for cleaning purpose
- installation: wall
- connection dimension: DN15
- connection type: basic set
- suitable for continuous flow water heaters
- pressure: low

Technology



Design awards



reddot winner 2020

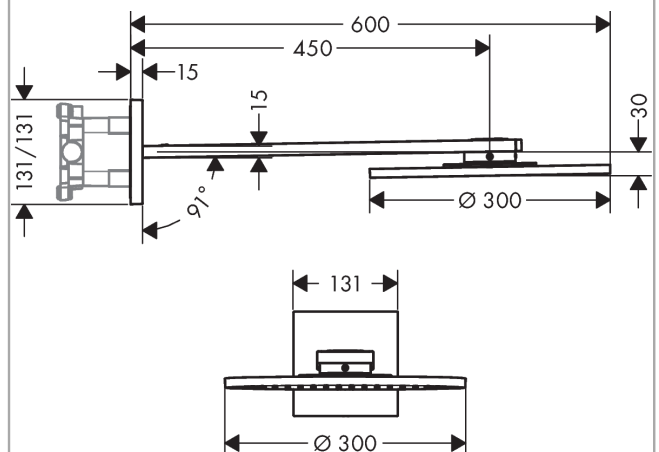


reddot winner 2021

Product image



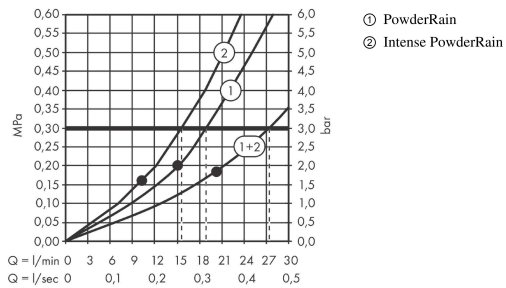
Scale drawing



AXOR ShowerSolutions
Overhead shower 300 2jet with shower arm
 Finish: **Matt Black** Article Number: **35303670**



Flowchart



The consumption was measured in combination with the appropriate fittings (thermostat/mixer/in-wall valve) to reflect actual application in practice.

AXOR ShowerSolutions
Overhead shower 300 2jet with shower arm
 Finish: **Matt Black** Article Number: **35303670**



Installation examples

- AXOR ShowerSolutions 250 2jet
35296000
- AXOR ShowerSolutions 300 2jet
35303000
- AXOR ShowerSolutions 250/250 2jet
35310000
- AXOR ShowerSolutions 300/300 2jet
35318000

