

**AXOR Citterio E**  
**Single lever shower mixer for concealed installation**  
Finish: **Matt Black** Article Number: **36655670**



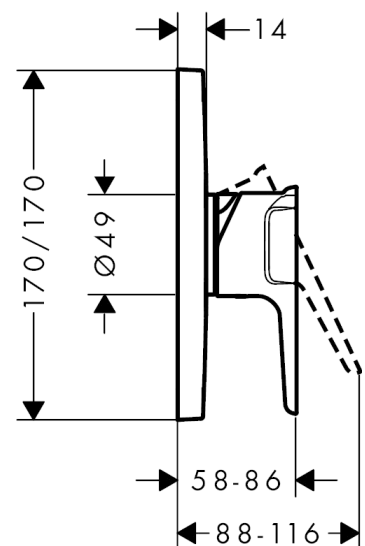
#### product features

- 1 function
- maximum flow rate at 3 bar: 29 l/min
- ceramic cartridge
- temperature limitation adjustable
- with silencer
- suitable for continuous flow water heaters
- min. operating pressure: 1 bar
- max. operating pressure: 10 bar
- connection type: basic set

#### Product image



#### Scale drawing



**AXOR Citterio E**  
**Single lever shower mixer for concealed installation**  
Finish: **Matt Black** Article Number: **36655670**



## Flowchart

